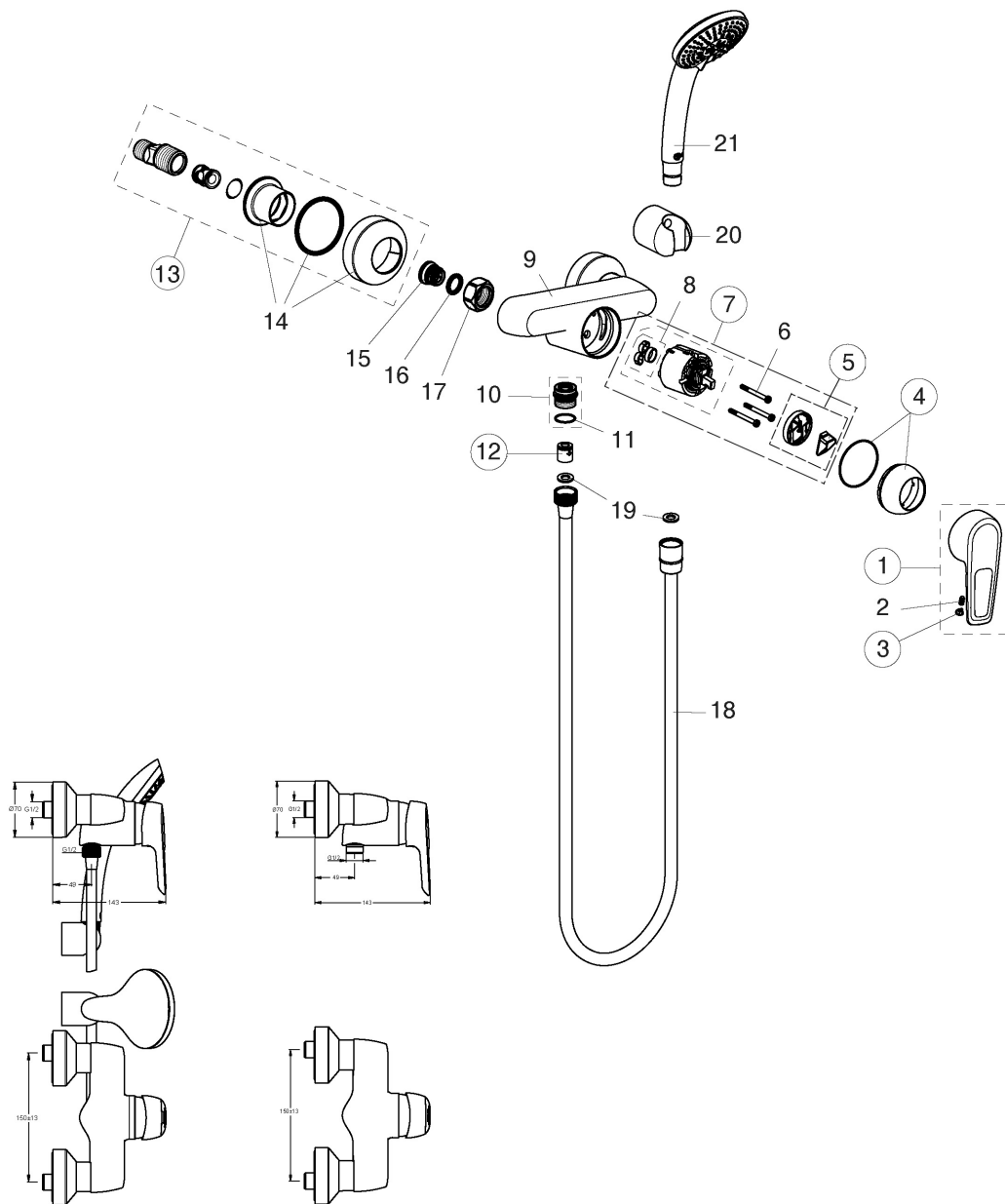


# Ceramix Blue B9493AA, B9912AA



Pos.	Signify	Spare parts-Nr.	Quantity	Pos.	Signify	Spare parts-Nr.	Quantity
1	Lever, w/logo ISI-compl.	A963227AA	1 Pcs.	15	Nipple M19x1.5LH		2 Pcs.
2	Screw M5x10		1 Pcs.	16	O-Ring $\varnothing$ 15.6x1.78		2 Pcs.
3	Cap(Blue/Red)	A963054NU	1 Pcs.	17	Nut G3/4		2 Pcs.
4	Cap, w/O-Ring-compl.	B960276AA	1 Pcs.	18	Metal hose, L1500, double clenched		1 Pcs.
5	Volume stop	A860700NU	1 Pcs.	19	Fiberring $\varnothing$ 16x13x1.5		2 Pcs.
6	Screw M4x50		3 Pcs.	20	Wall bracket fixed NIKLES		1 Pcs.
7	Cartridge $\varnothing$ 47mm	A960500NU	1 Pcs.	21	Shower, 3F, 8 l/min		1 Pcs.
8	O-Ring-set		1 Set				
9	Body shower		1 Pcs.				
10	Nipple M22x1/G1/2		1 Pcs.				
11	O-Ring $\varnothing$ 18.2x1.7		2 Pcs.				
12	Non return valve	A962594NU	1 Pcs.				
13	S-connections-compl.	B960647AA	1 Set				
14	Escutcheon-compl.		1 Set				