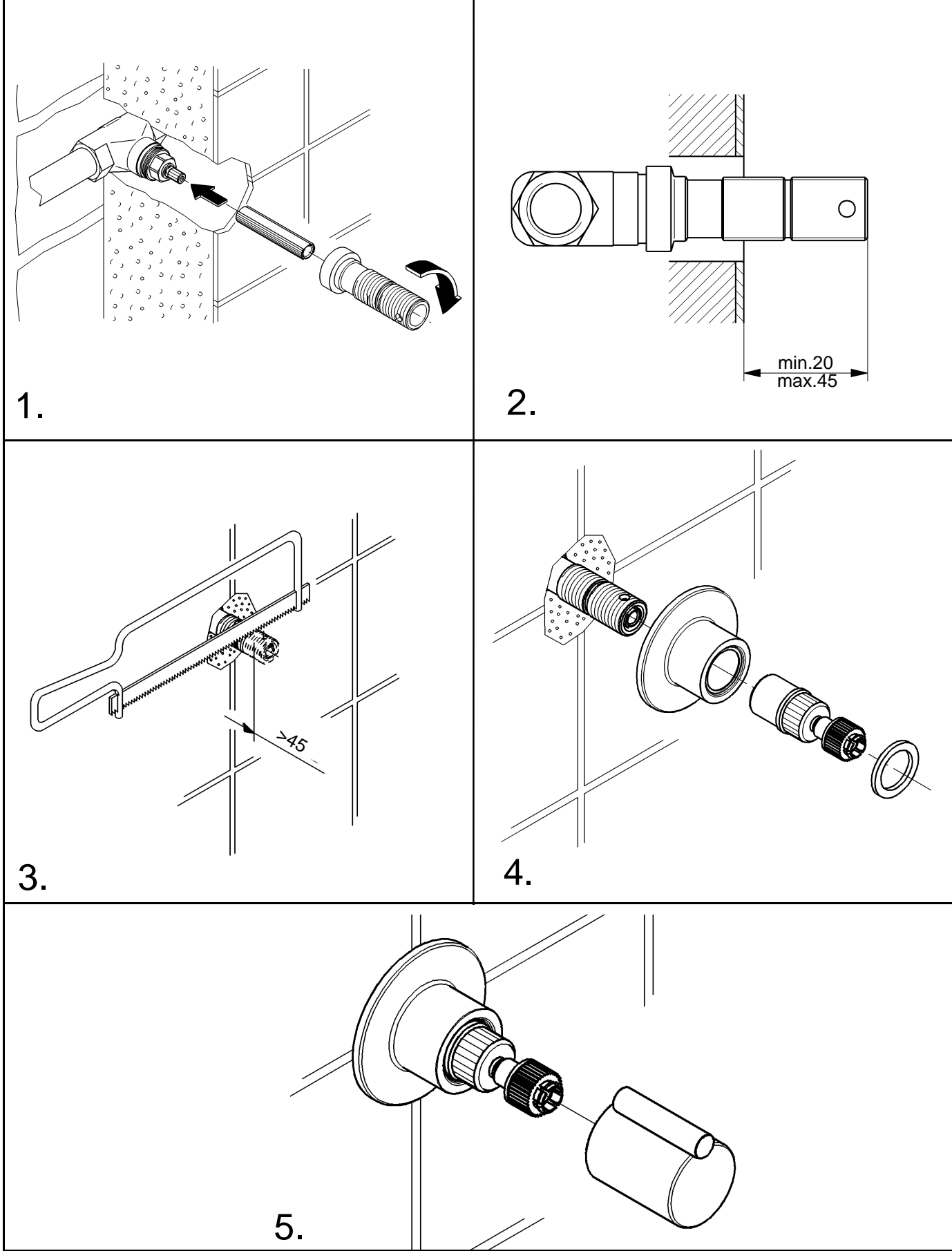


GROHE

WATER TECHNOLOGY



95.858.131/ÄM 30 293/04.01

GROHE

WATER TECHNOLOGY

