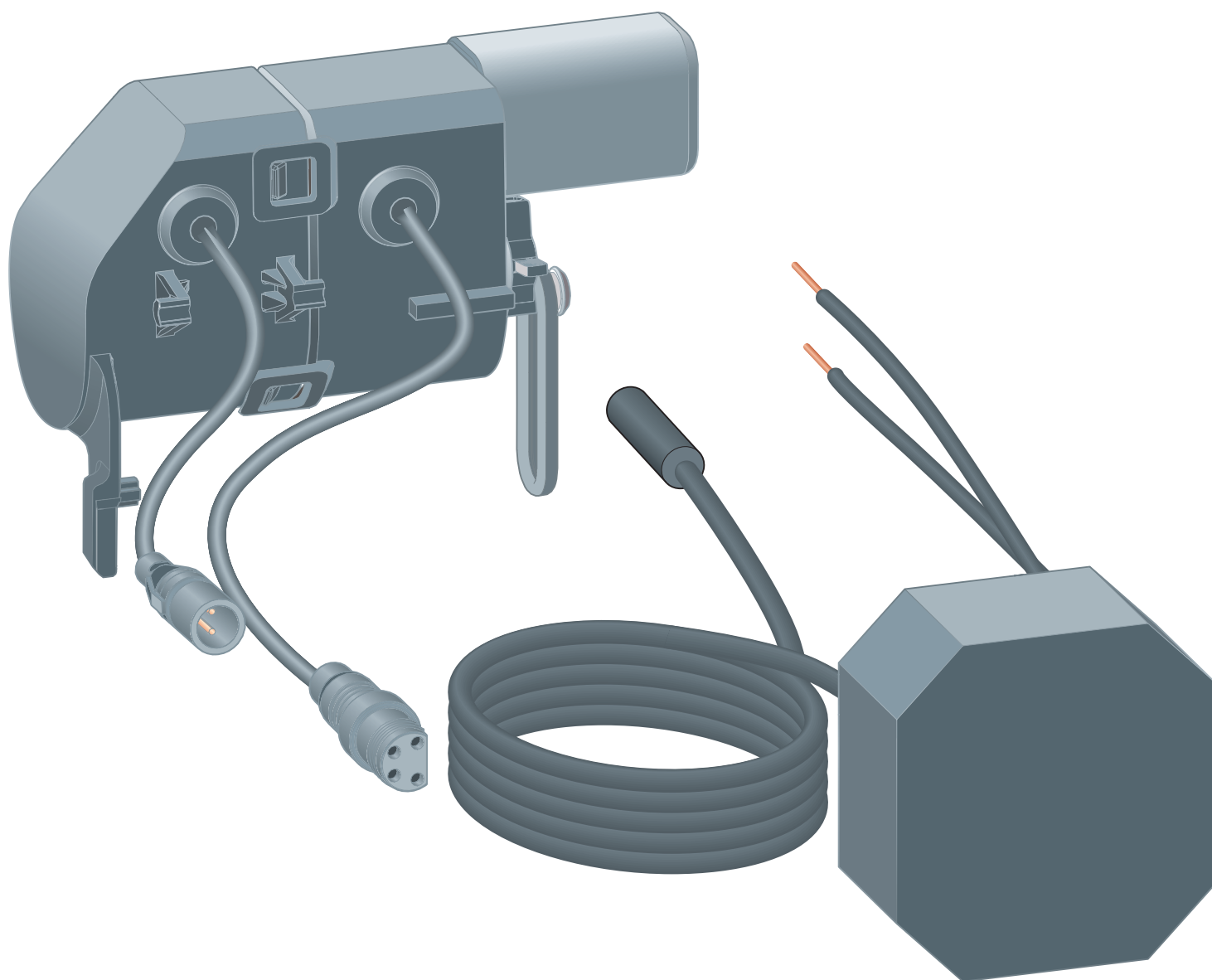


## Instructions for Use

## Electronics accessory set



For electronic WC flush plates for Prevista

**Model**  
8655.11

**Year built (from)**  
03/2019

**viega**

# Table of contents

<b>1</b>	<b>About these instructions for use</b>	<b>3</b>
	1.1 Target groups	3
	1.2 Labelling of notes	3
	1.3 About this translated version	4
<b>2</b>	<b>Product information</b>	<b>5</b>
	2.1 Standards and regulations	5
	2.2 Safety advice	5
	2.3 Intended use	5
	2.3.1 Areas of use	5
	2.4 General notes	6
	2.5 Product description	7
	2.5.1 Overview	7
	2.5.2 Technical data	8
	2.5.3 Connection diagram	8
	2.6 Accessories	9
<b>3</b>	<b>Handling</b>	<b>10</b>
	3.1 Assembly information	10
	3.1.1 Mounting conditions	10
	3.1.2 Required material and tools	11
	3.2 Assembly	11
	3.2.1 Setting the flush	11
	3.2.2 Mounting with flush plate in front position	14
	3.2.3 Mounting with flush plate in top position	19
	3.3 Disposal	24

# 1 About these instructions for use

Trade mark rights exist for this document; for further information, go to [viega.com/legal](http://viega.com/legal).

## 1.1 Target groups

The information in this instruction manual is directed at the following groups of people:

- Heating and sanitary professionals and trained personnel
- Qualified electricians

Individuals without the abovementioned training or qualification are not permitted to mount, install and, if required, maintain this product. This restriction does not extend to possible operating instructions.

The installation of Viega products must take place in accordance with the general rules of engineering and the Viega instructions for use.

## 1.2 Labelling of notes

Warning and advisory texts are set aside from the remainder of the text and are labelled with the relevant pictographs.



### **DANGER!**

This symbol warns of possible life-threatening injury.



### **WARNING!**

This symbol warns of possible serious injury.



### **CAUTION!**

This symbol warns of possible injury.



### **NOTICE!**

This symbol warns of possible damage to property.



This symbol gives additional information and hints.

### 1.3 About this translated version

This instruction for use contains important information about the choice of product or system, assembly and commissioning as well as intended use and, if required, maintenance measures. The information about the products, their properties and application technology are based on the current standards in Europe (e.g. EN) and/or in Germany (e.g. DIN/DVGW).

Some passages in the text may refer to technical codes in Europe/Germany. These should serve as recommendations in the absence of corresponding national regulations. The relevant national laws, standards, regulations, directives and other technical provisions take priority over the German/European directives specified in this manual: The information herein is not binding for other countries and regions; as said above, they should be understood as a recommendation.

## 2 Product information

### 2.1 Standards and regulations

The following standards and regulations apply to Germany / Europe and are provided as a support feature.

#### Regulations from section: Fields of application / Mounting conditions

Scope / Notice	Regulations applicable in Germany
Protection area for installation of the power pack in shower and bath rooms	VDE 0100-701

#### Regulations from section: Technical data

Scope / Notice	Regulations applicable in Germany
Electrical approvals	EN 60950
Electrical approvals	EN 60335
Electrical approvals	EN 61558

### 2.2 Safety advice



#### **DANGER!** **Danger due to electrical current**

An electric shock can lead to burns and serious injury and even death.

- Work on the electrics may only be carried out by trained electricians.
- Switch off the mains voltage before connecting the power pack.

### 2.3 Intended use

#### 2.3.1 Areas of use



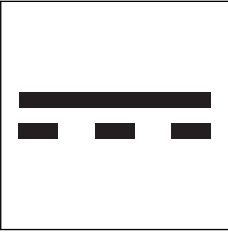
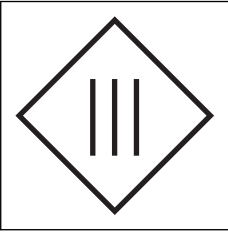
The electronic accessory set is required for the power supply and the control of electronic WC flush plates for Prevista.

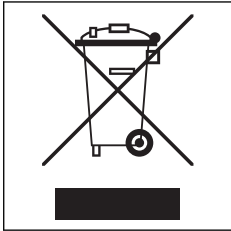
## 2.4 General notes

- If you notice any damage on the product or individual components, do not carry out a repair. Instead, have the product replaced by qualified personnel.
- This product is not intended for use by persons (including children) with restricted physical, sensory or mental aptitude or lack of experience and/or knowledge.
- Make sure that children do not play with this product.
- A disconnect device with a contact opening width that fulfils the conditions of overvoltage category III for full separation in accordance with the installation requirements must be installed at each terminal of the fixed electrical installation.

### Symbols

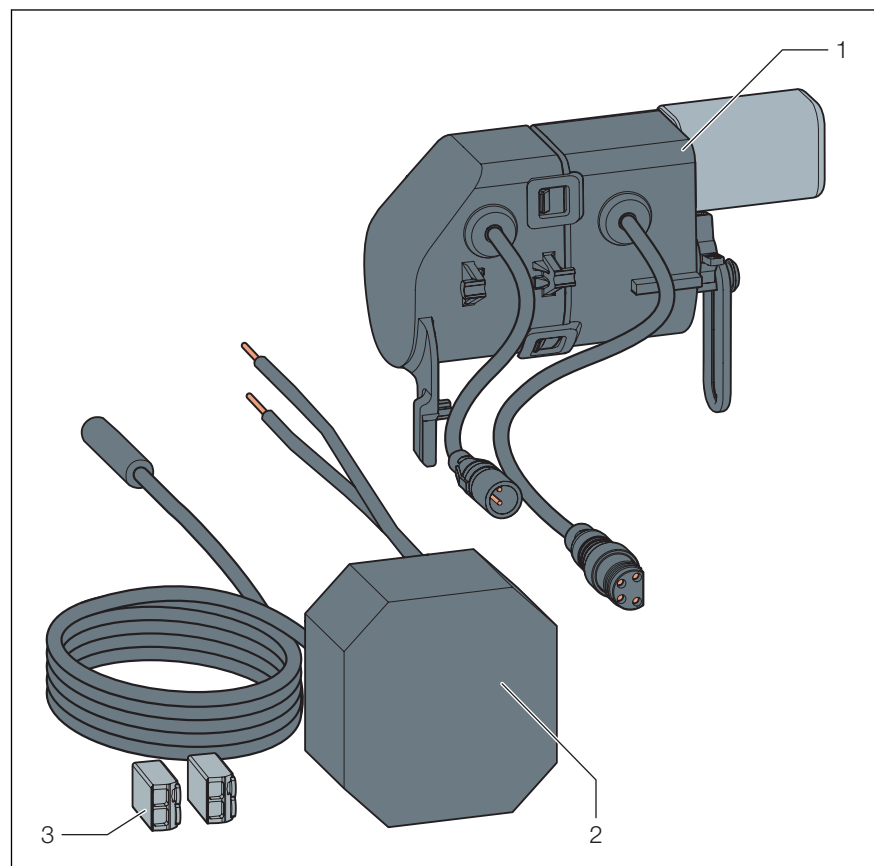
Observe the symbol listed on the label:

Symbol	Description
	CE marking, Product Safety in Europe
	EAC marking, registration of products in the territory of the Customs Union
	Direct current
	Protection class III

Symbol	Description
	The marked product must not be disposed of as household waste.

## 2.5 Product description

### 2.5.1 Overview



- 1 Electronic drive unit
- 2 Power pack
- 3 Terminal

## 2.5.2 Technical data

### Electronics

Input (power pack)	100–240 V AC, 50–60 Hz, 100 mA
Output (power pack)	6.5 V DC, 800 mA



Electrical approvals see section ⚡ „Regulations from section: Technical data“ on page 5.

### Voltage and current

#### Motor

Voltage [V]	Current [mA]
6.5	500

## 2.5.3 Connection diagram

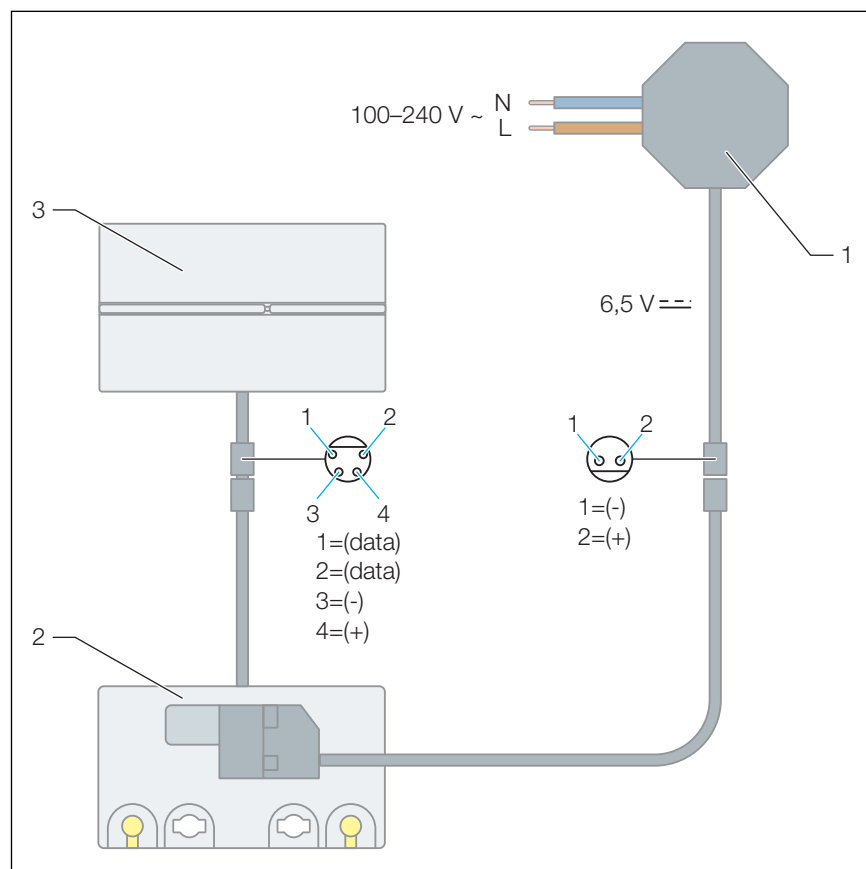


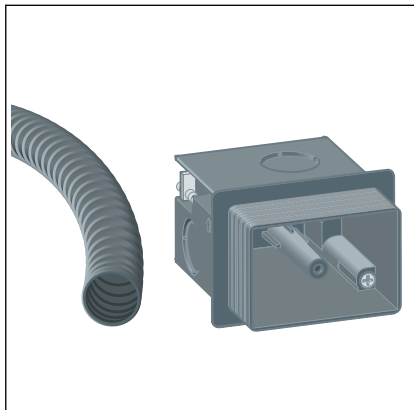
Fig. 1: Connection diagram, power pack, WC flush plate for Prevista

- 1 Power pack
- 2 Electronic drive unit
- 3 WC flush plate for Prevista



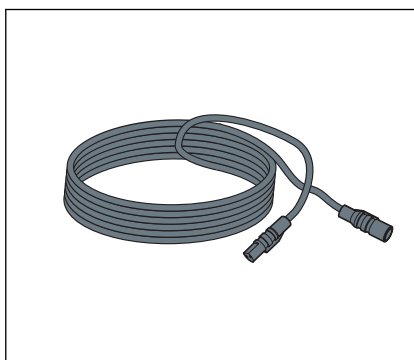
## 2.6 Accessories

### Optional accessories



#### Installation set (model 8640.14)

The installation set contains a hollow wall socket to house the power pack and an empty pipe to connect the cistern.

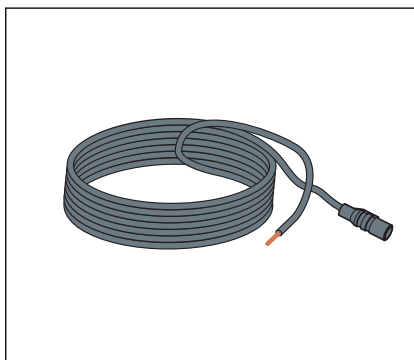


#### Extension cable (model 8352.690)

2 metre cable for the extension of the power supply.



Use a maximum of two extension cables with the power pack (4.75 meter total length).



#### Connection cable (model 8570.55)

3-meter cable for external flush actuation with on-site and commercially available buttons with closing function or potential-free contact (closing period 350 ms)

## 3 Handling

### 3.1 Assembly information

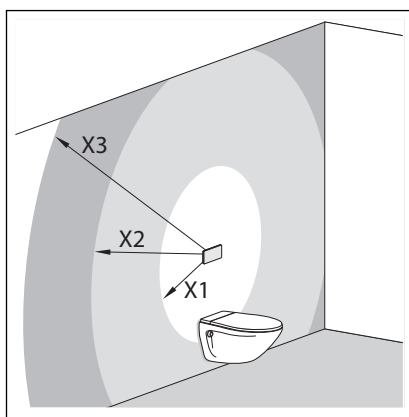
#### 3.1.1 Mounting conditions

##### Installation position of the power pack

The power pack should be mounted in an easily accessible place to allow subsequent access.

Before beginning to clad, a concealed socket should be installed for the power pack with empty pipe to the cistern (installation set ☞ „Optional accessories“ on page 9).

If necessary, the power pack cable can be extended to a length of 4.75 metres (two extension cables ☞ „Optional accessories“ on page 9).



**Fig. 2: Installation position of the power pack**

X1 max. 0.75 m

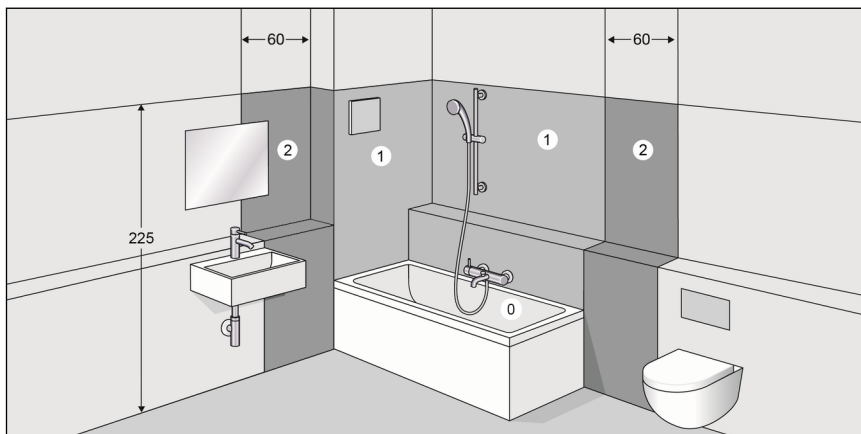
X2 max. 2.75 m with an extension cable (article number 628 505)

X3 max. 4.75 m with two extension cables (article number 628 505)



An extension of the mains supply by more than 5 metres can lead to a situation in which the power is not sufficient to actuate the flush.

##### Protected zone



**Fig. 3: Protected zones**

According to the applicable regulations, installation of the power pack in the protected zones 0 and 1 of shower rooms and bathrooms is not permitted, see ⚡ „Regulations from section: Fields of application / Mounting conditions“ on page 5.

Viega recommends installing the power pack outside of the protected zones 0-2.

### 3.1.2 Required material and tools

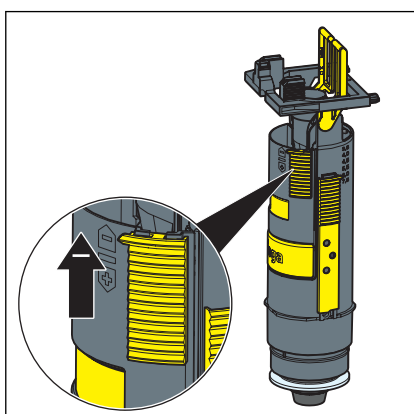
#### Material

The following material is required for mounting:

- if necessary, empty pipe from power pack into the cistern

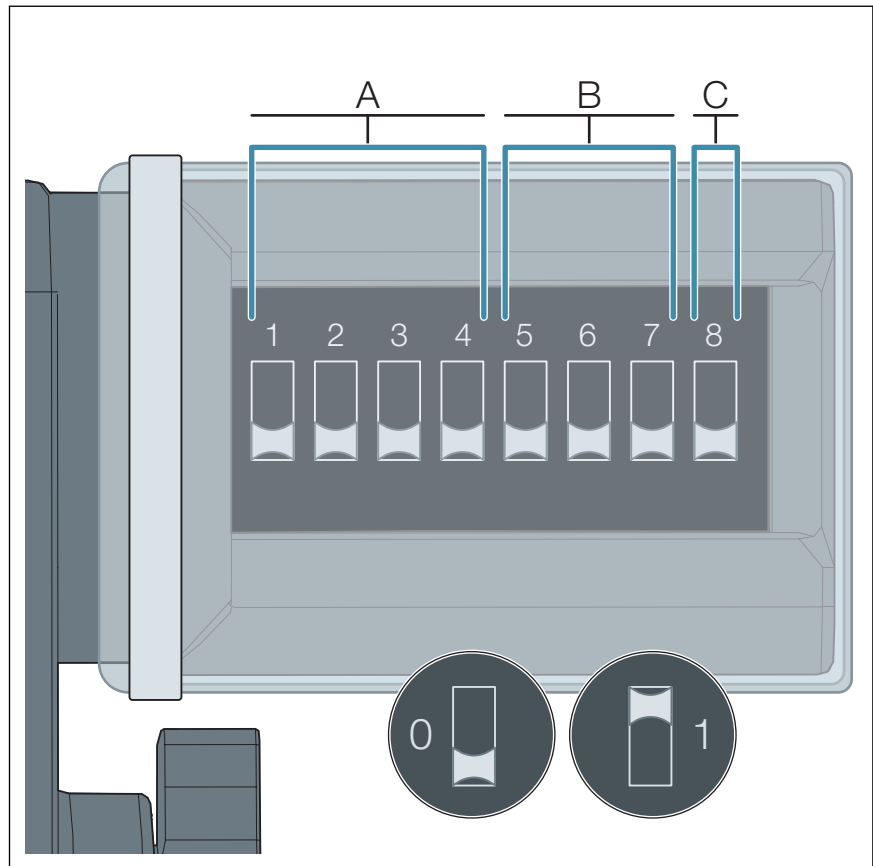
## 3.2 Assembly

### 3.2.1 Setting the flush



The smallest possible flush volume must be set at the drain valve in the cistern.

The flush volume is set via the DIP switch of the drive unit.



- A Setting of the flush volume
- B Interval of the Viega Hygiene+ function
- C Setting the flush volume of the Viega Hygiene+ function
- 0 DIP switch position: OFF
- 1 DIP switch position: ON

The assignment of the DIP switches:

- Switches 1-4 define the flush volume.
- Switches 5-7 define the interval of the Viega Hygiene+ function.
- Switch 8 defines the flush volume of the Viega Hygiene+ function.



**NOTICE!**  
**Damage due to moisture**

Risk of damage to the drive unit if moisture penetrates.

- Do not remove the protective cover of the DIP switches.

**Setting the flush volumes (A)**

Program no.	Large flush volume (in litres)	Small flush volume (in litres)	Position of the switches 1—4			
			1	2	3	4
Program 0 (factory setting)	6	3	0	0	0	0
Program 1	3.5	2	0	0	0	1
Program 2	4.5	2	0	0	1	0
Program 3	6	2	0	0	1	1
Program 4	7.5	2	0	1	0	0
Program 5	3.5	3	0	1	0	1
Program 6	4.5	3	0	1	1	0
Program 7	7.5	3	0	1	1	1
Program 8	4.5	4	1	0	0	0
Program 9	6	4	1	0	0	1
Program 10	7.5	4	1	0	1	0

**Viega Enabling the Hygiene+ function and setting the intervals (B)**

Interval (in hours)	Position of switches 5—7		
	5	6	7
Switched off	0	0	0
1	0	0	1
12	0	1	0
24	0	1	1
72	1	0	0
168	1	0	1

**Setting the flush volume of the Viega Hygiene+ function (C)**

Flush volume (in litres)	Position of switch 8
3	0
7.5	1

### 3.2.2 Mounting with flush plate in front position



**DANGER!**  
**Danger due to electrical current**

An electric shock can lead to burns and serious injury and even death.

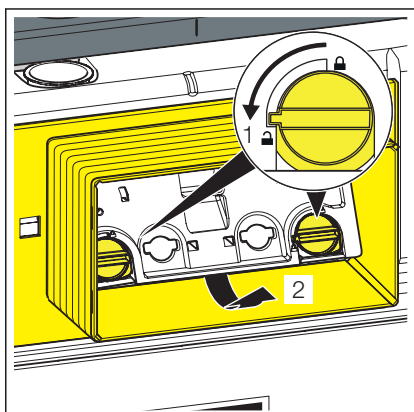
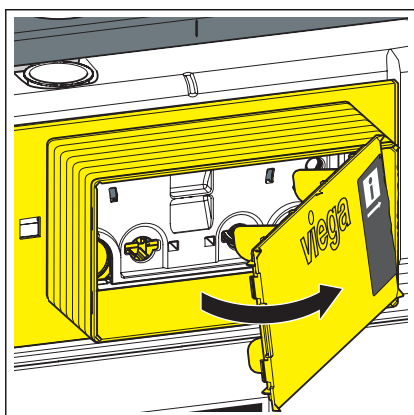
- Only allow electrical work to be carried out by qualified electricians.
- Always de-energise the connection cable before work is commenced.



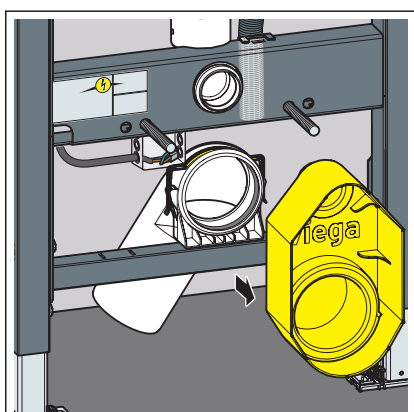
Observation of the prescribed connection sequence is required. The power supply must always be connected last, to ensure that all of the connected components function.

**Requirements:**

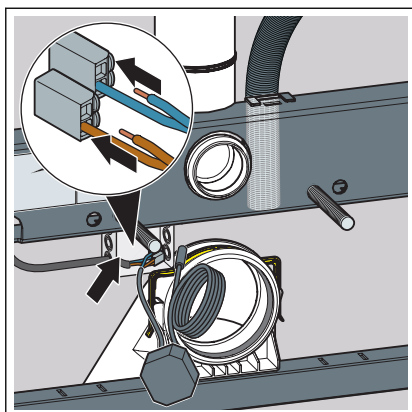
- A 230 V mains connection is available on site.
- The installation position of the power pack complies with the requirements in acc. with *Chapter 3.1.1 „Mounting conditions“ on page 10.*
- The connection cable is de-energised.
- Remove the shaft cover.



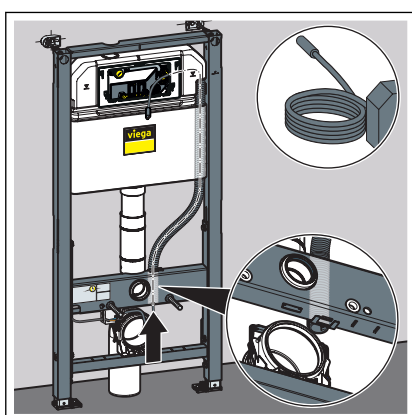
- Turn the cover plate lock 90° in anti-clockwise direction.
- Remove the cover plate.



- Remove the site protection.

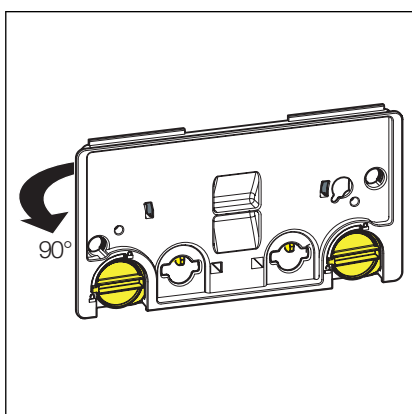


- Put the power pack in place.
- Remove approx. 1 cm of the insulation on the cables.
- Push the cables into the terminals.

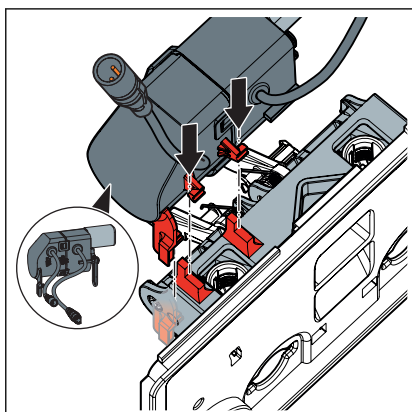


**INFO! Use the cable feedthrough.**

- Route the connection cable from the power pack through the empty pipe into the cistern.
- Guide the connection cable out through the cistern.

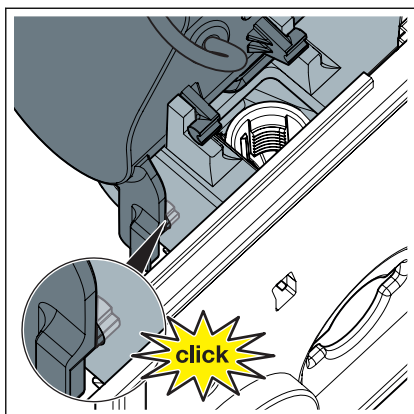


- Turn the cover plate 90°.

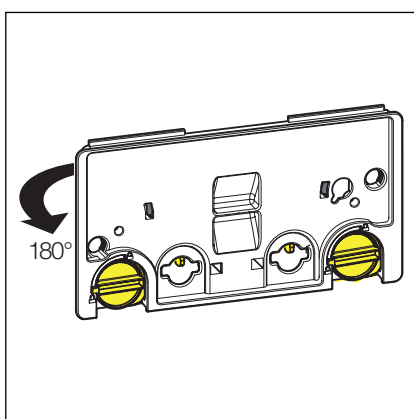


- Place the drive unit on the rear of the cover plate.

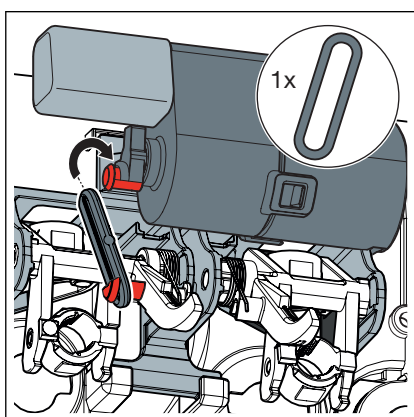




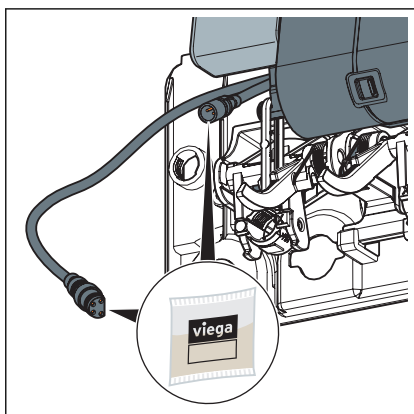
► Let the drive unit engage in the mechanism.



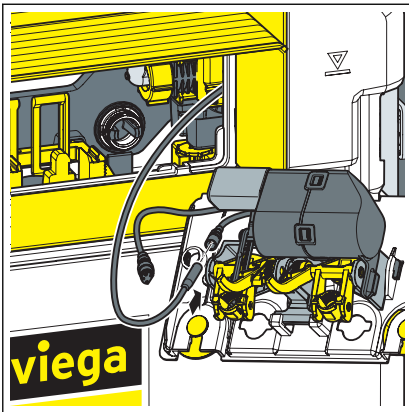
► Turn the cover plate 180°.



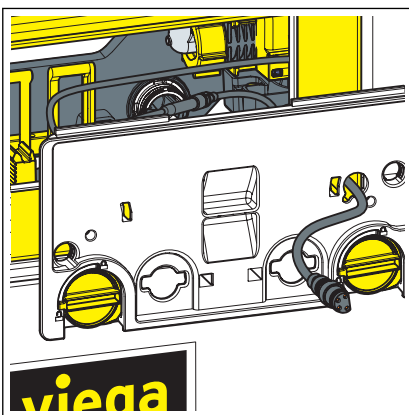
► Connect the clip of the mechanism and the drive unit to the eye.



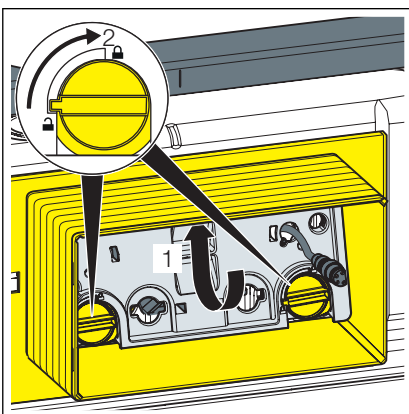
► Apply the silicon grease to all drive unit connections.



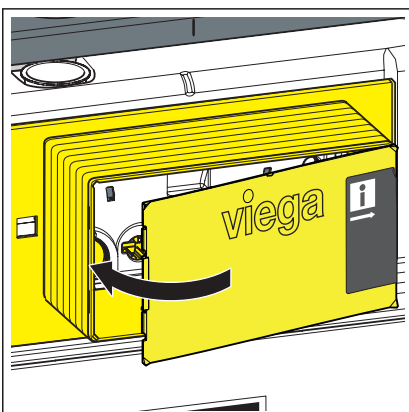
- To establish the power supply, connect the short cable of the drive unit to the power pack.



- Guide the long cable of the drive unit forward through the cover plate.
- Insert the cover plate into the cistern.



- Turn the cover plate lock by 90° in a clockwise direction.



- Insert the shaft cover.
- The drive unit has been mounted.

### 3.2.3 Mounting with flush plate in top position



**DANGER!**  
**Danger due to electrical current**

An electric shock can lead to burns and serious injury and even death.

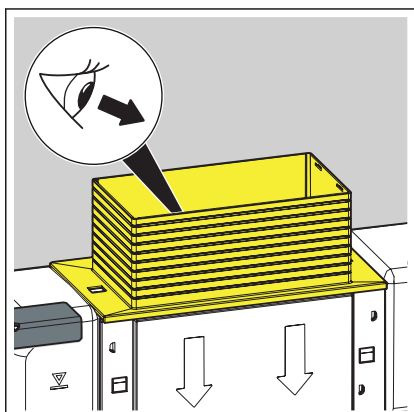
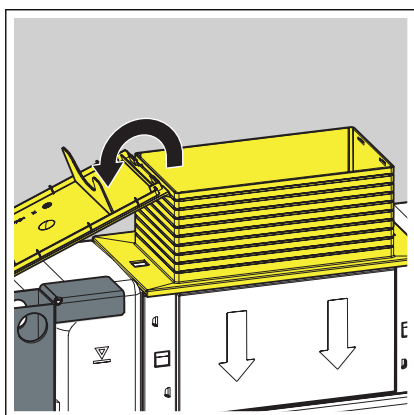
- Only allow electrical work to be carried out by qualified electricians.
- Always de-energise the connection cable before work is commenced.



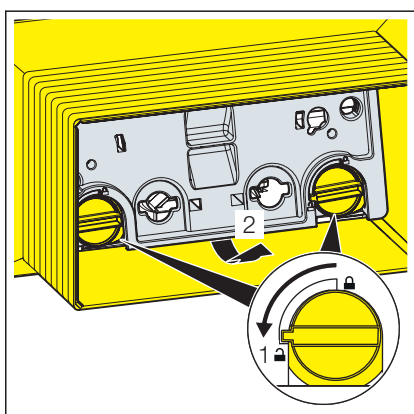
Observation of the prescribed connection sequence is required. The power supply must always be connected last, to ensure that all of the connected components function.

**Requirements:**

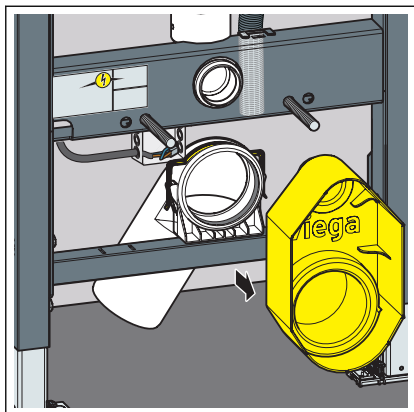
- A 230 V mains connection is available on site.
- The installation position of the power pack complies with the requirements in acc. with *Chapter 3.1.1 „Mounting conditions“ on page 10.*
- The connection cable is de-energised.
- Remove the shaft cover.



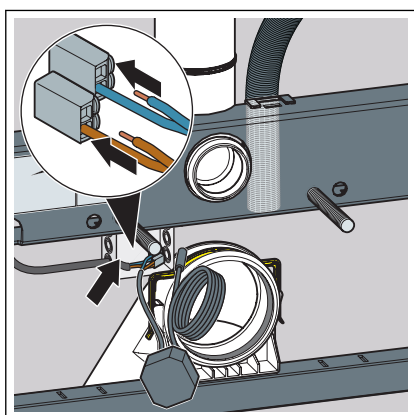
**INFO!** In the description of the following steps, the cistern is shown in top view.



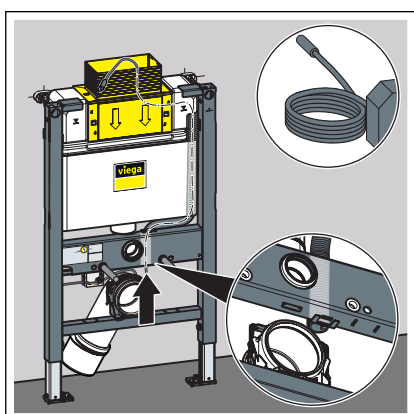
- Turn the cover plate lock 90° in anti-clockwise direction.
- Remove the cover plate.



- Remove the site protection.

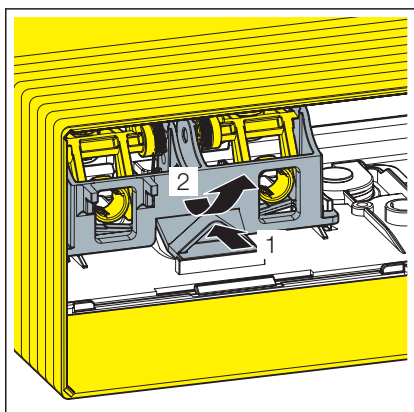


- Put the power pack in place.
- Remove approx. 1 cm of the insulation on the cables.
- Push the cables into the terminals.

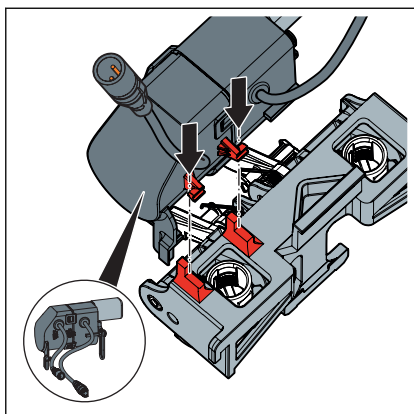


**INFO! Use the cable feedthrough.**

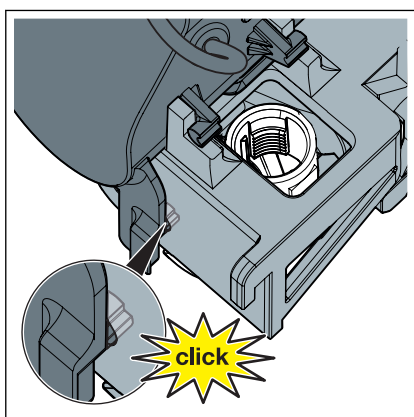
- Route the connection cable from the power pack through the empty pipe into the cistern.
- Guide the connection cable out through the cistern.



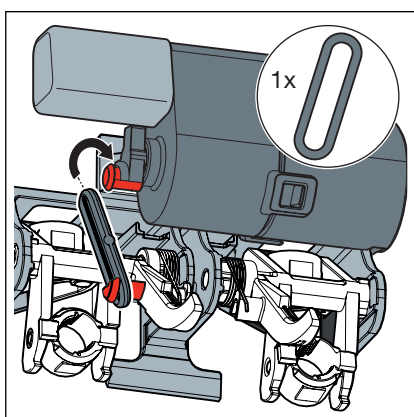
- Remove the mechanism.



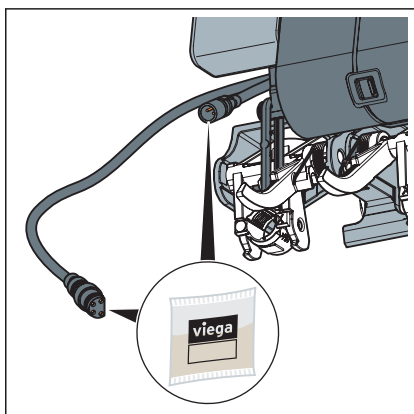
► Place the drive unit on the mechanism.



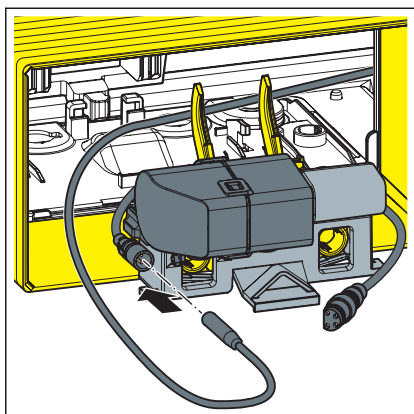
► Let the drive unit engage in the mechanism.



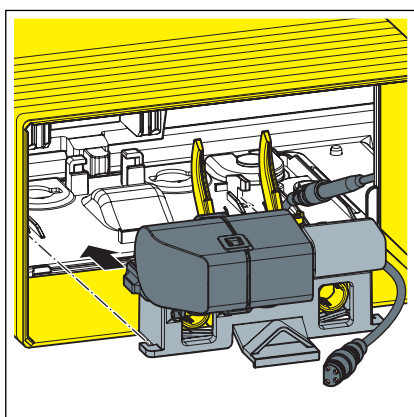
► Connect the clip of the mechanism and the drive unit to the eye.



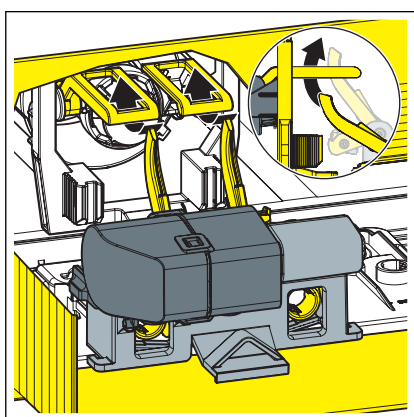
► Apply the silicon grease to all drive unit connections.



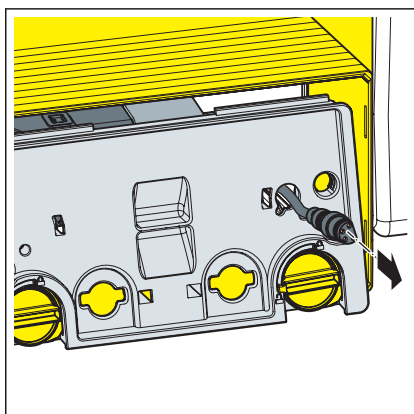
► To establish the power supply, connect the short cable of the drive unit to the flushing station.



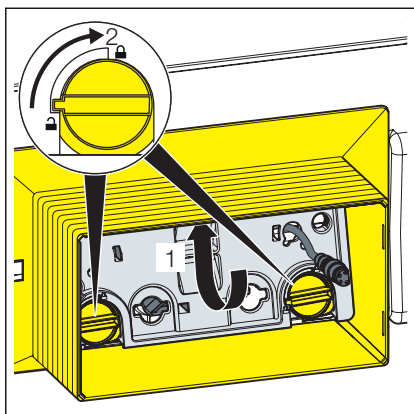
► Place the mechanism with the drive unit into the rear of the cover plate.



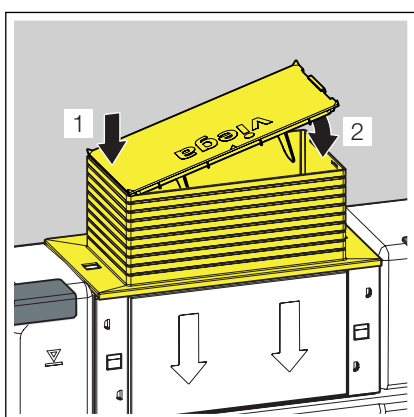
► Hang the mechanism in the tab of the drain valve.



► Guide the long cable of the drive unit forward through the right-hand opening of the cover plate.



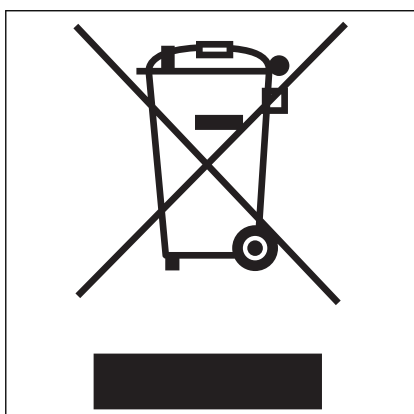
- Insert the cover plate into the cistern.
- Turn the cover plate lock by 90° in a clockwise direction.



- Insert the shaft cover.
  - ◇ The drive unit has been mounted.

### 3.3 Disposal

Separate the product and packaging materials (e. g. paper, metal, plastic or non-ferrous metals) and dispose of in accordance with valid national legal requirements.



Electronic components and batteries must not be put in the domestic waste but must be disposed of appropriately in conformity with the WEEE guideline 2012/19/EU.





**Viega Technology GmbH & Co. KG**

[service-technik@viega.de](mailto:service-technik@viega.de)

[viega.com](http://viega.com)

INT • 2020-07 • VPN190609

