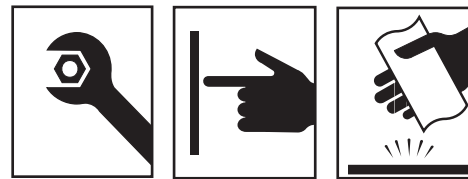
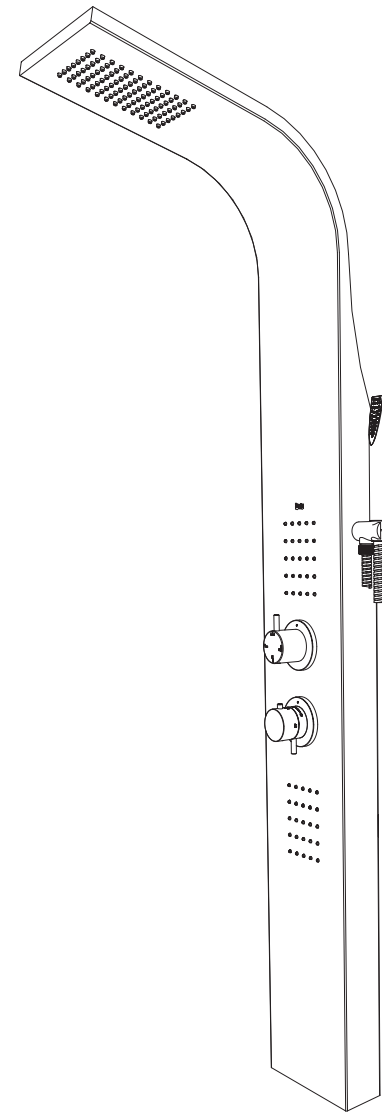


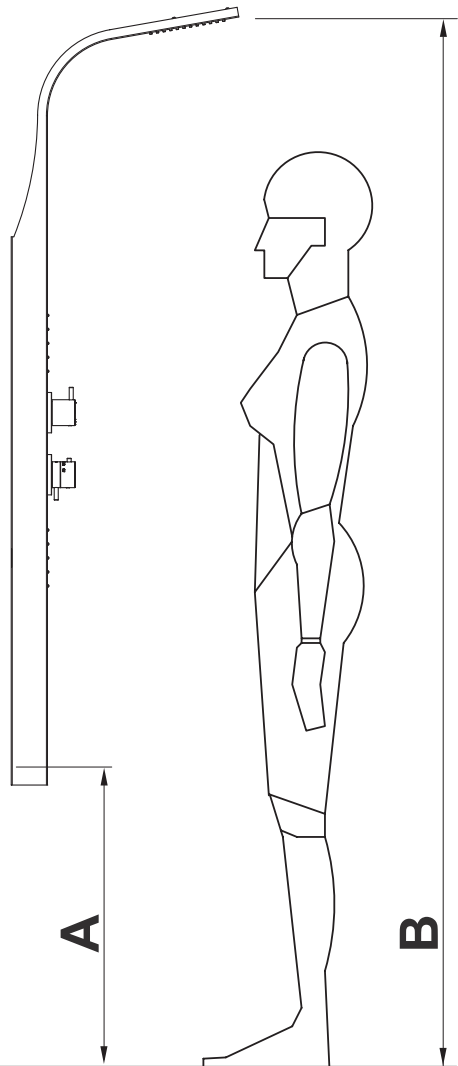
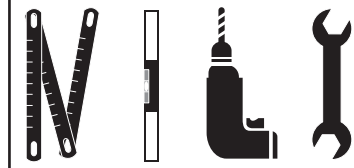
Rev. 2012.03A

**Roca Sanitario, S.A.**  
 Avda. Diagonal, 513 -08029 Barcelona - SPAIN  
 Teléfono 93 366 1200 - Fax 93 419 4501-  
 www.roca.es

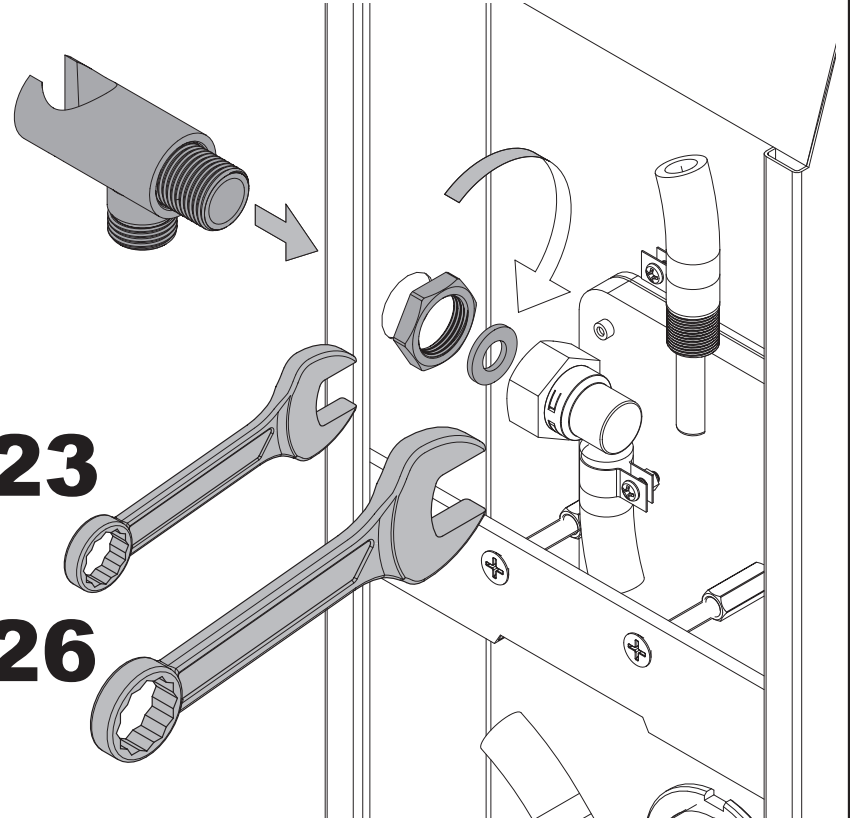
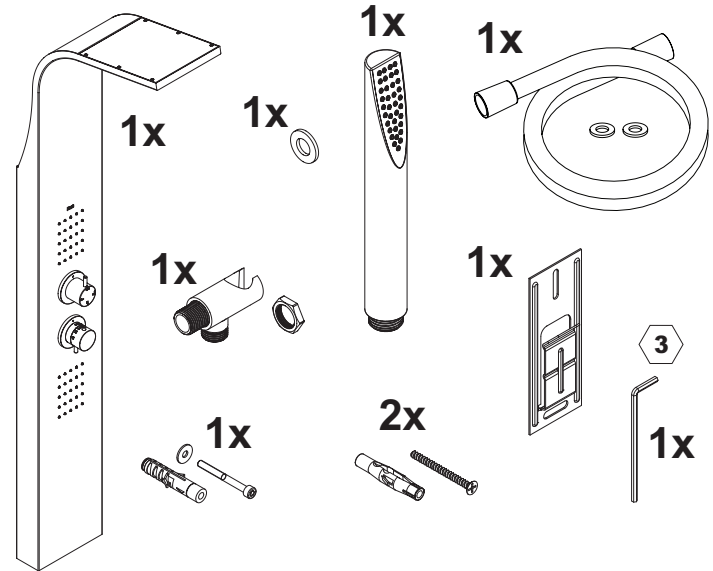


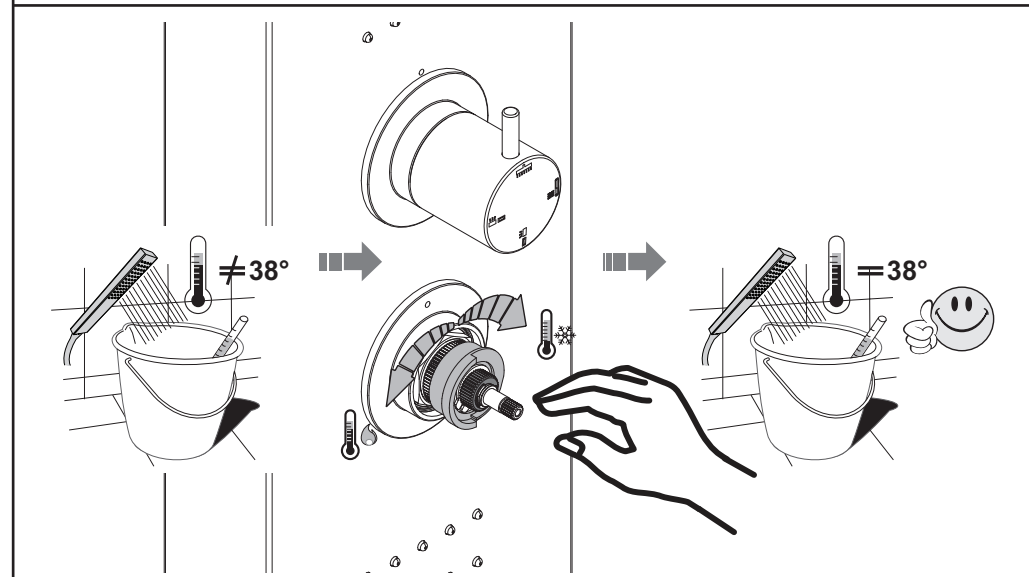
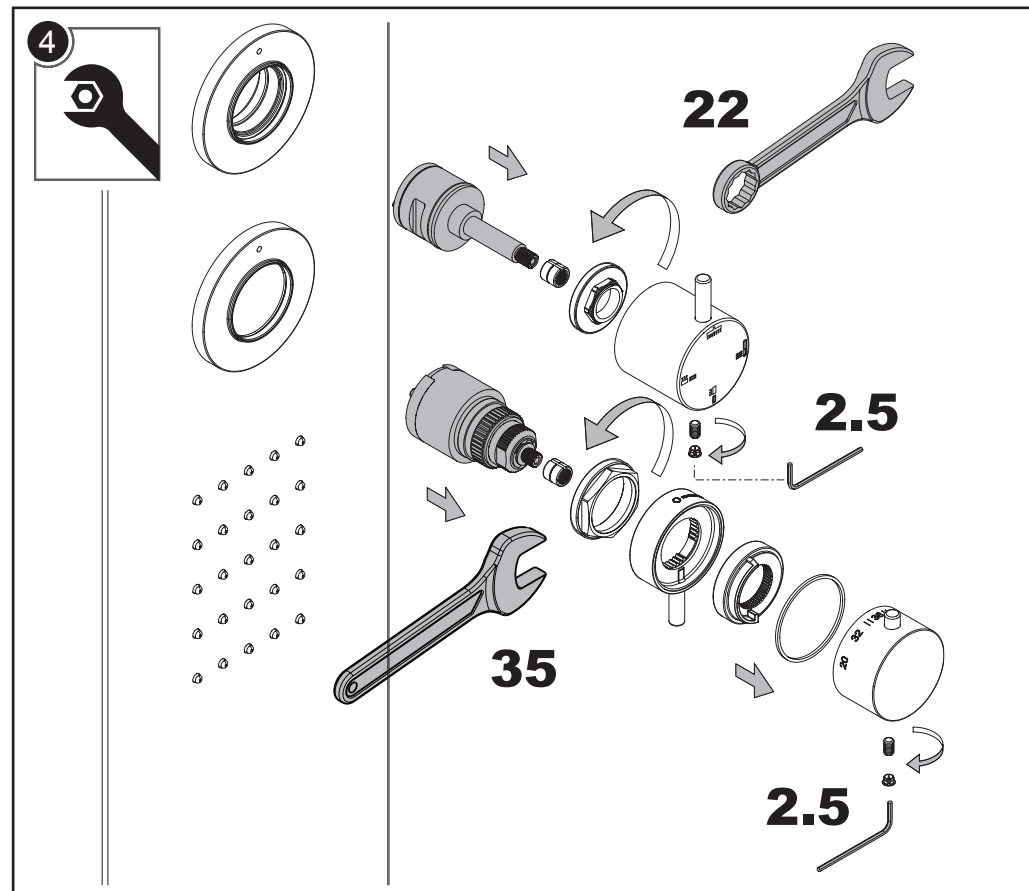
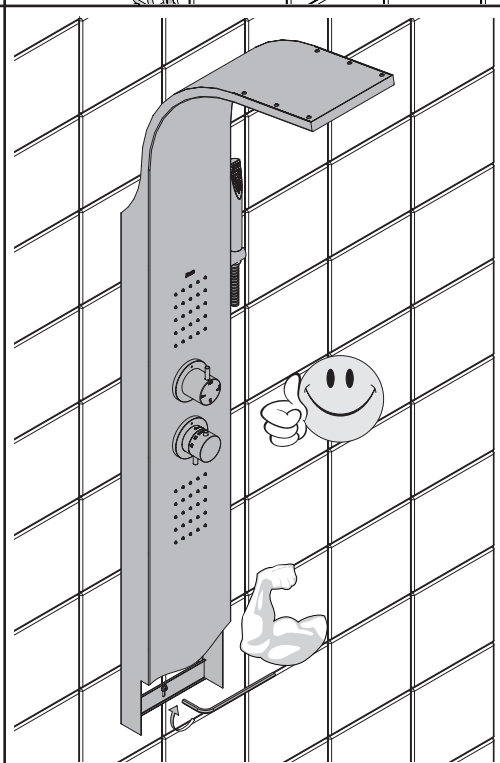
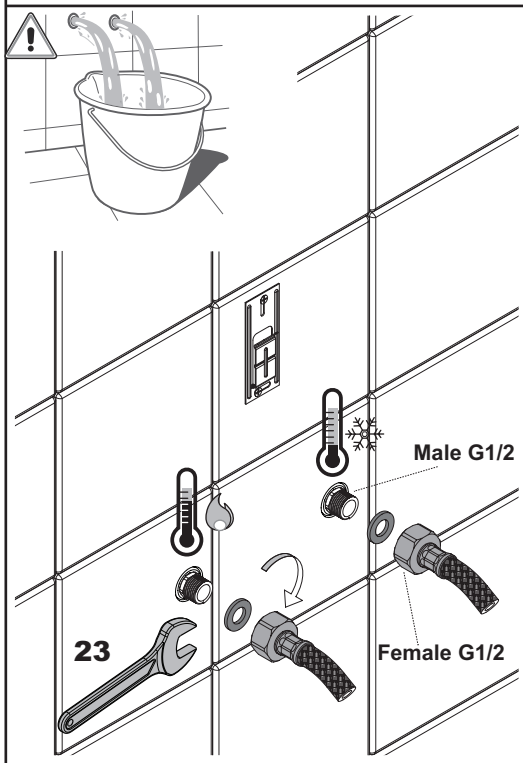
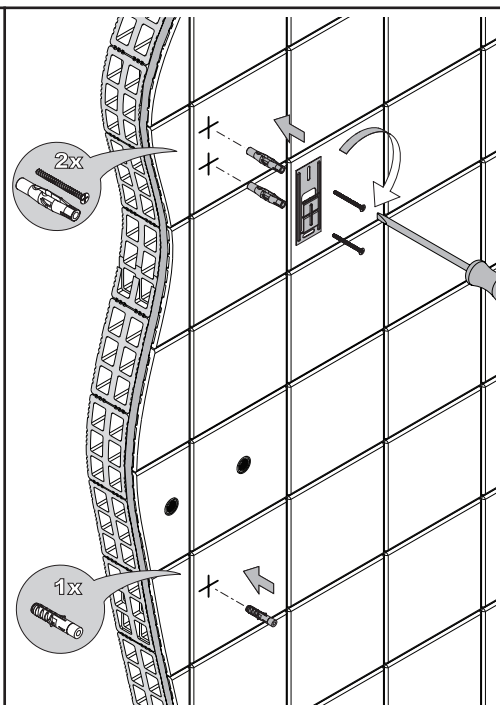
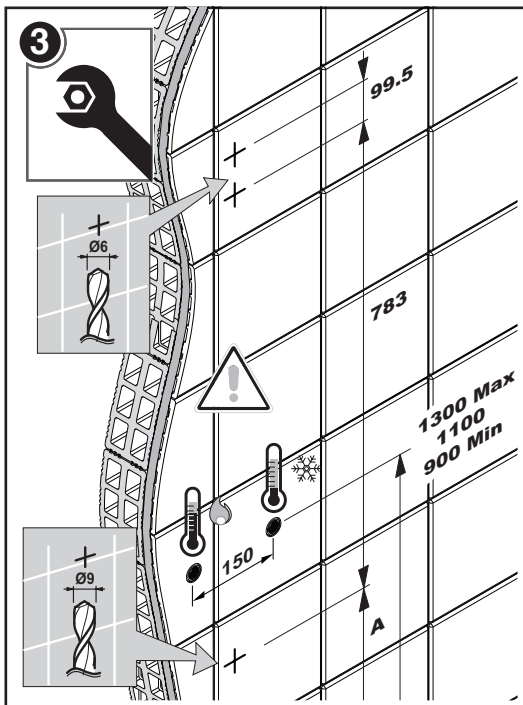
**ESSENTIAL**  
 2H0417000

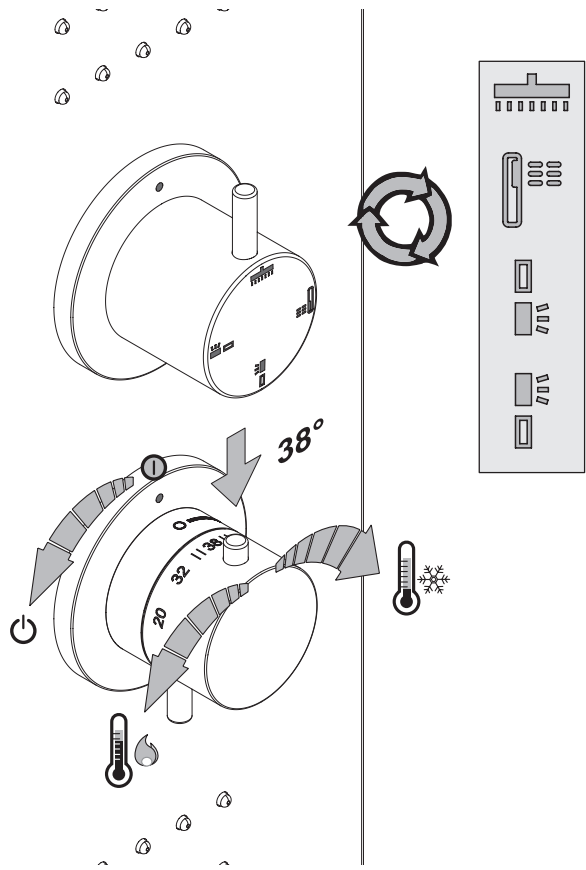



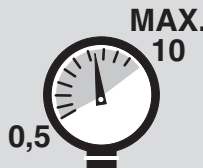
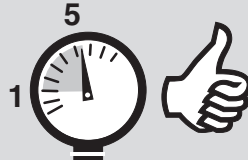
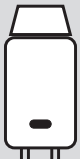

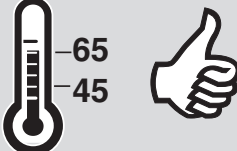
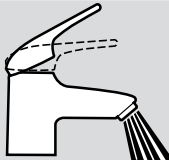
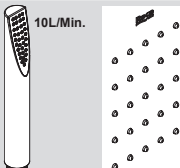
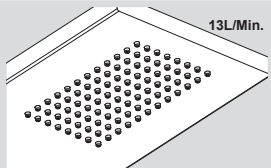


<b>A</b>	443	543	643
<b>B</b>	1900	2000	2100







	<b>P</b>	<b>P</b> bar		
	<b>T</b>	<b>°C</b>		
	<b>Q</b> (3 bar)	<b>l/min</b>		

- 1 AC0015400R
- 2 AC0015300R
- 3 AC0016100R
- 4 AC0016600R
- 5 AC0016500R
- 6 AC0016300R
- 7 AC0016400R
- 8 AC0015900R
- 9 AC0015800R
- 10 AC0016200R
- 11 AC0015700R
- 12 AC0016000R
- 13 A5B9047C00
- 14 AG0062200R
- 15 AC0016800R
- 16 AC0014400R
- 17 AC0015500R

