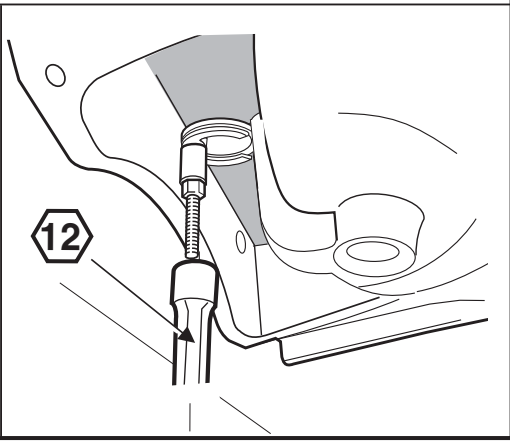
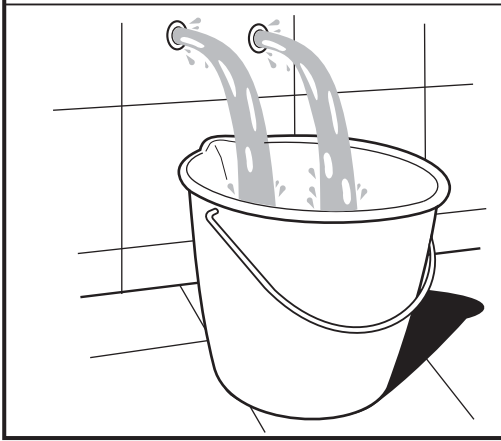
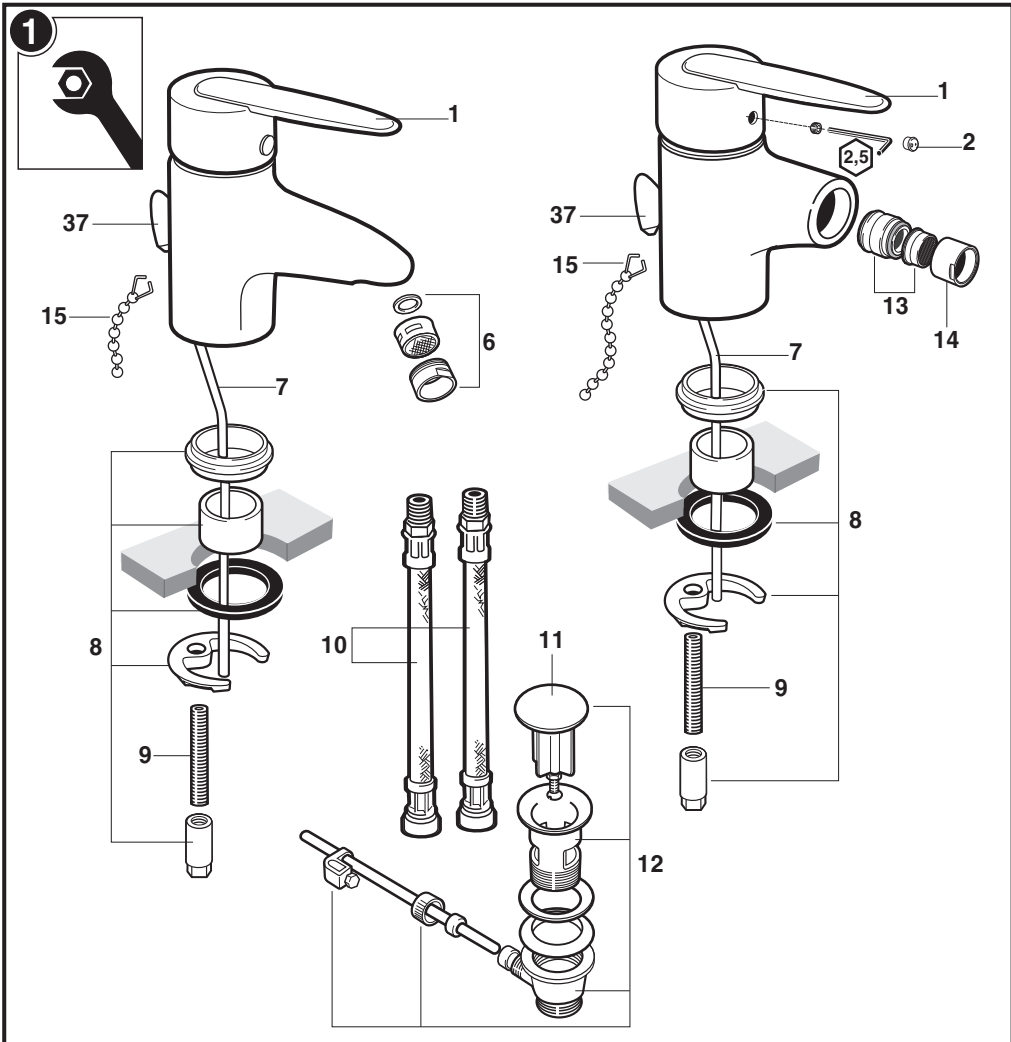


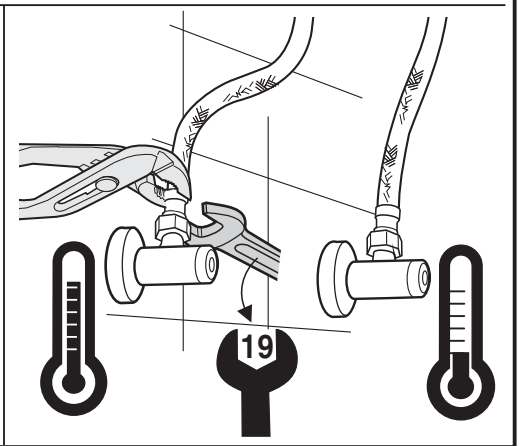
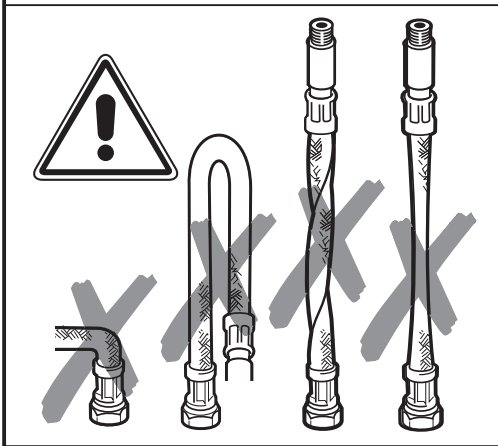
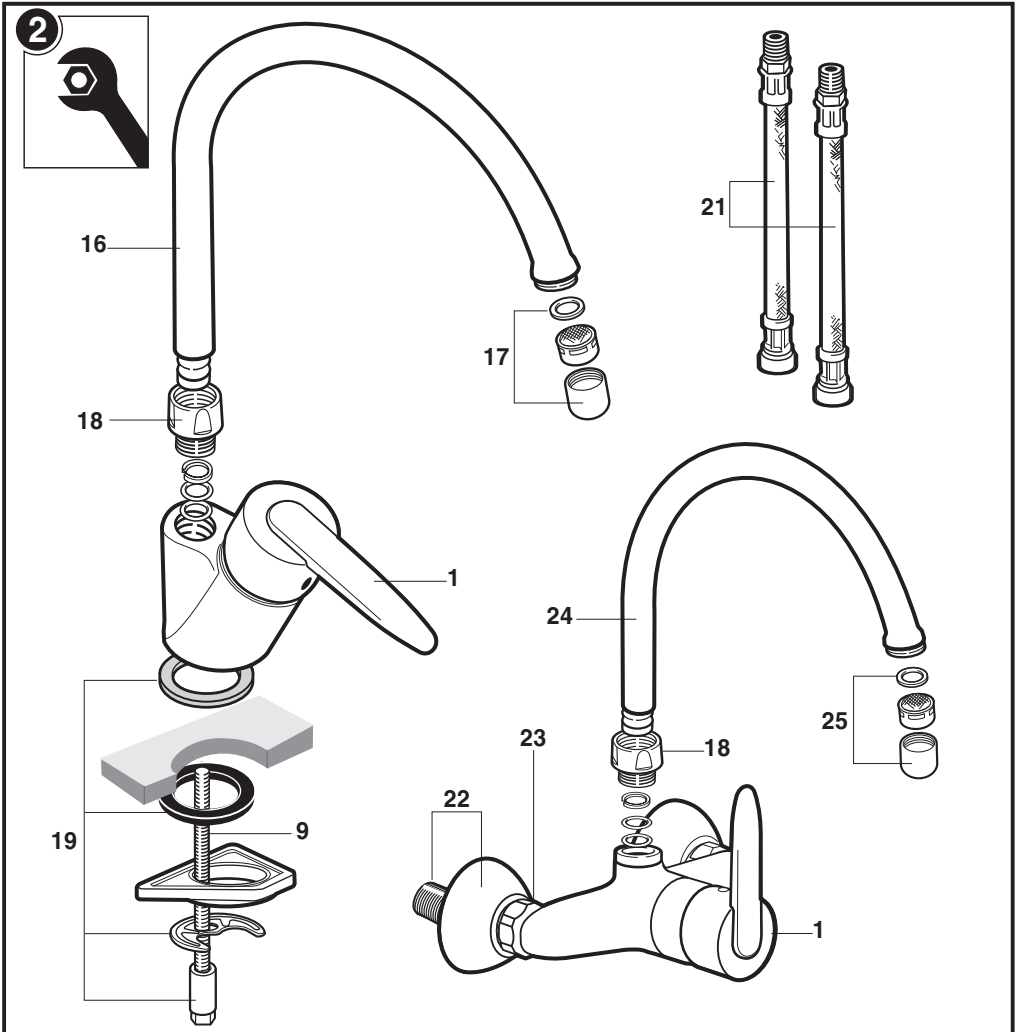


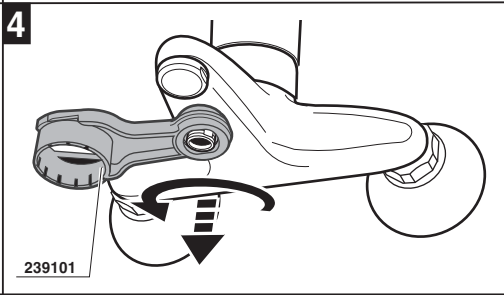
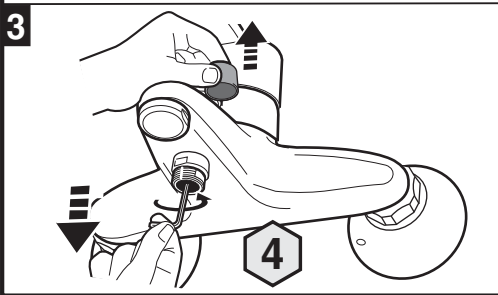
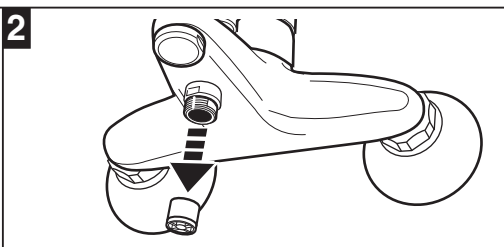
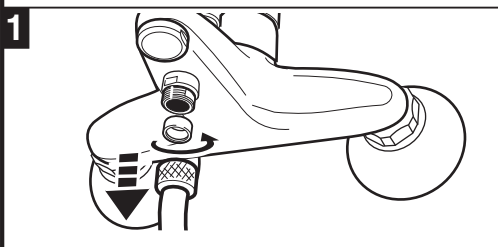
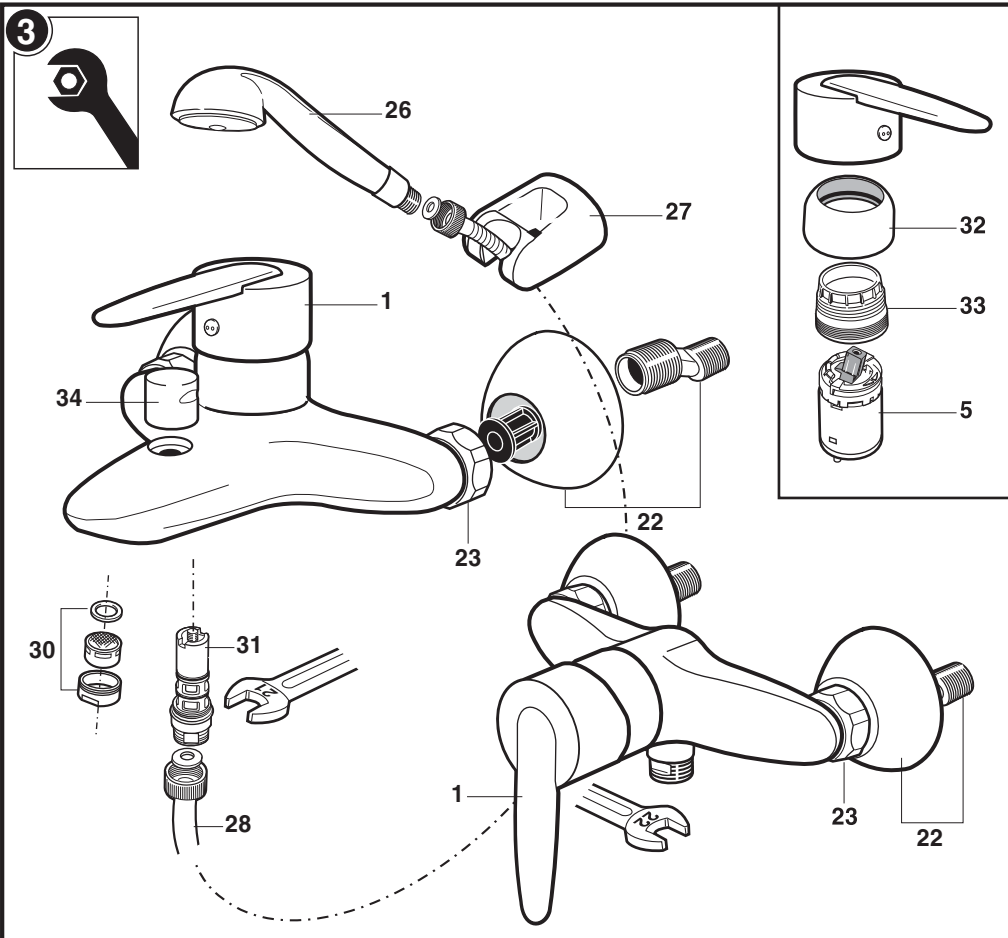
Roca

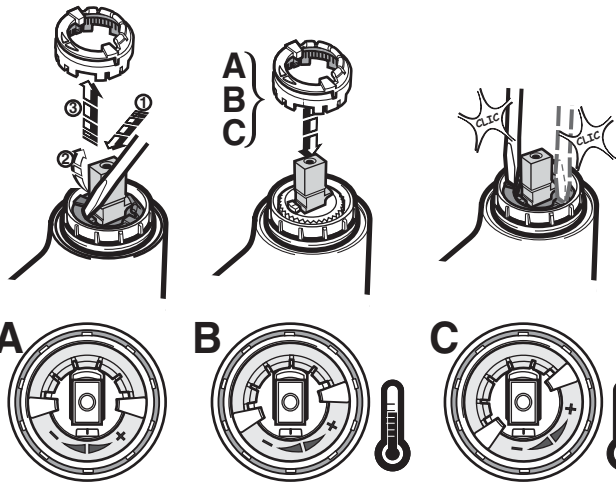
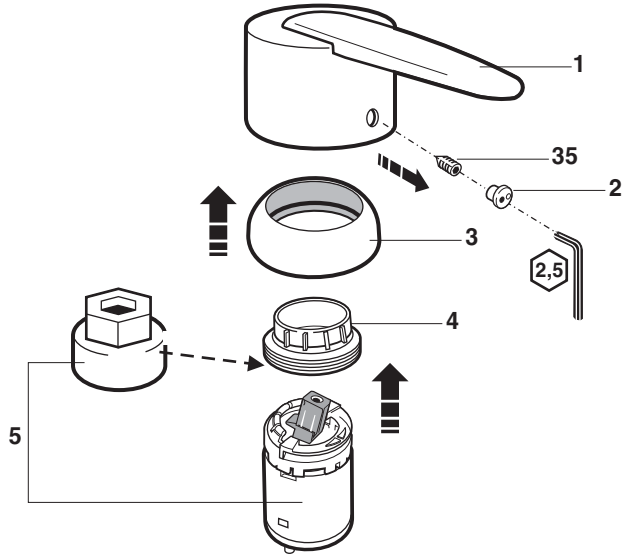
VECTRA



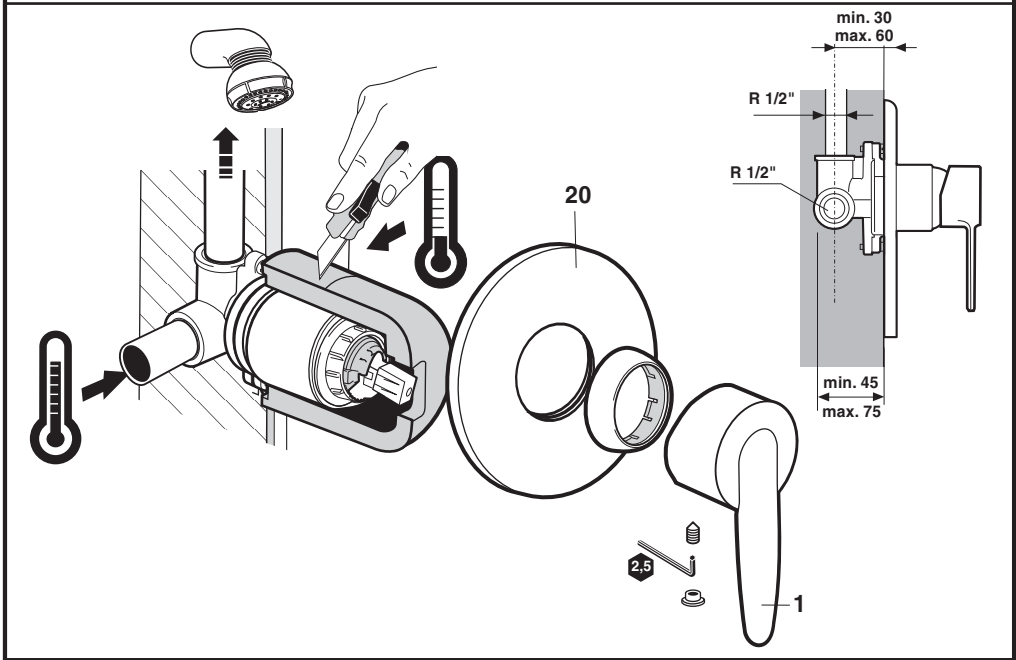
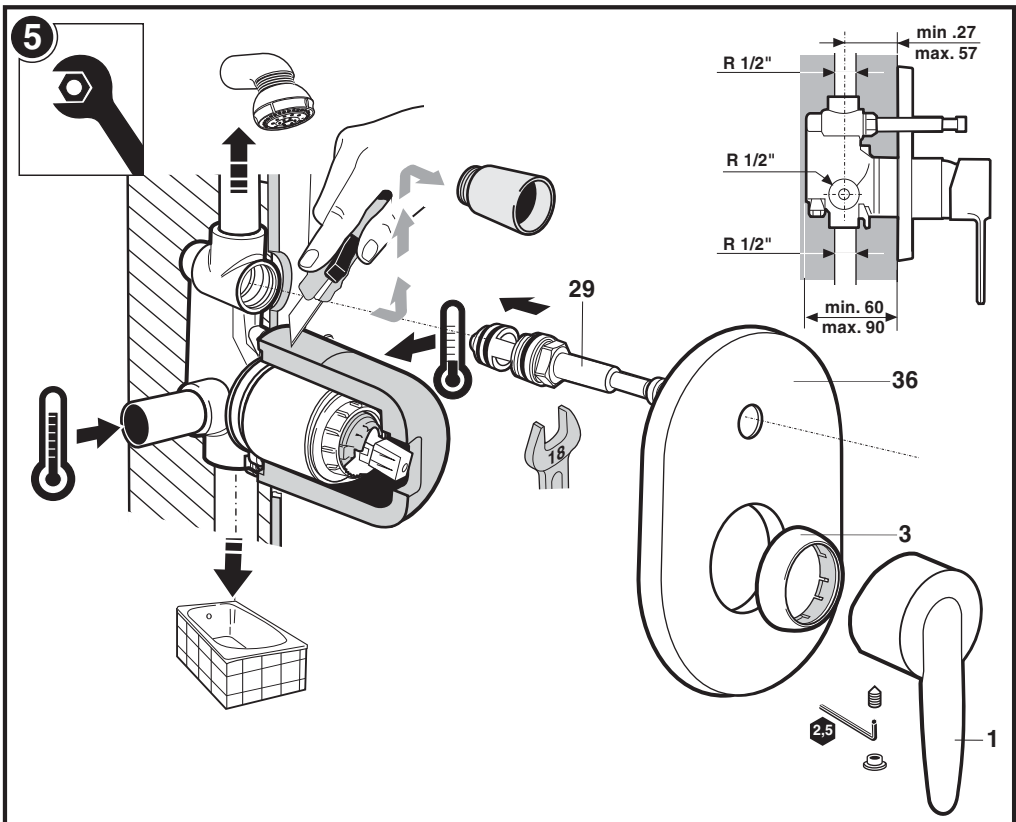




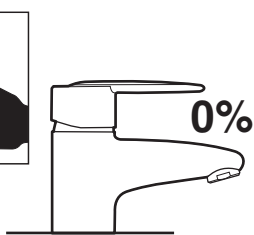




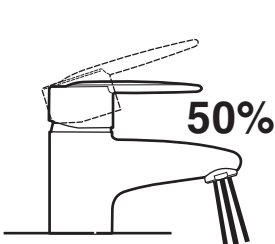
P	P bar		
T	°C		
Q (3 bar)	l/min	12	20



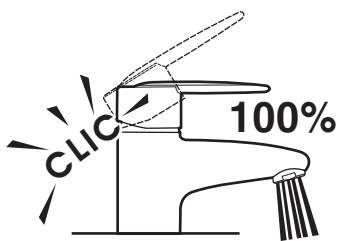
6



0%

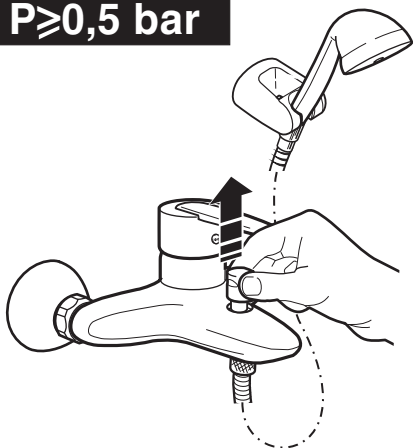


50%

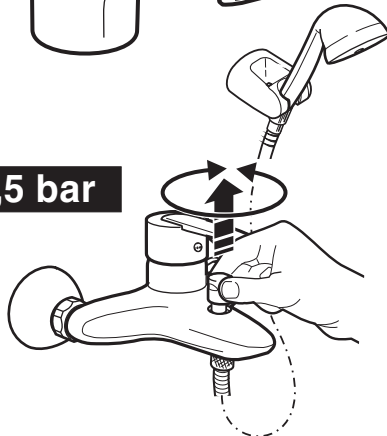


100%

$P \geq 0,5$ bar



$P < 0,5$ bar

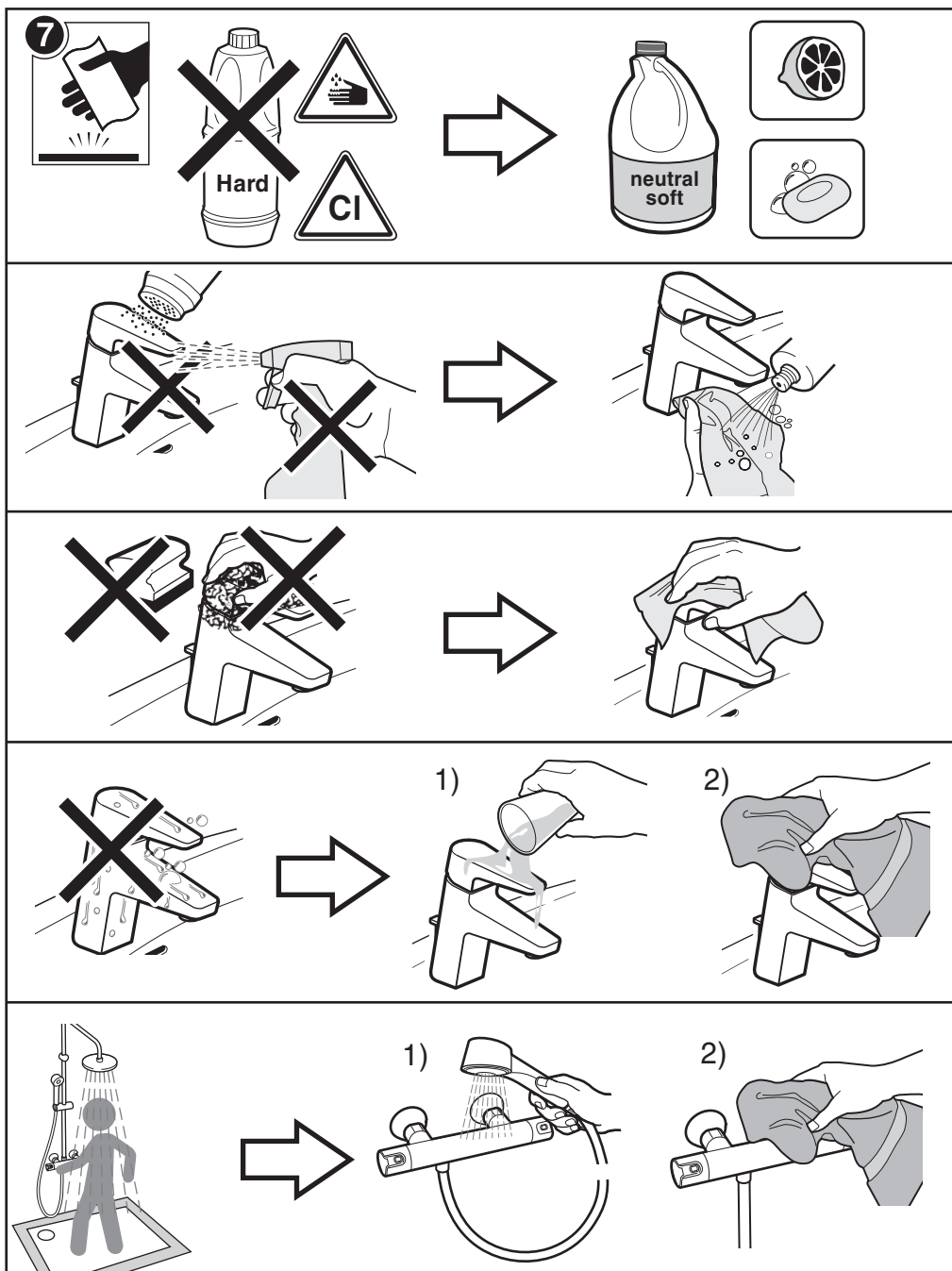


1 - 521535800
 2 - 543837307
 3 - 523813200
 4 - 523630707
 5 - 525085407
 6 - 525300700
 7 - 522472719
 8 - 525769203
 9 - 522665103
 10 - 525766809

11 - 525001805
 12 - 525437100
 13 - 525546100
 14 - 525382100
 15 - 525013100
 16 - 525392900
 17 - 525363100
 18 - 542811600
 19 - 525770603
 20 - 525002800

21 - 525761409
 22 - 525554200
 23 - 522685100
 24 - 525393100
 25 - 525300800
 26 - 5B9035C00
 27 - 525766000
 28 - 525761100
 29 - 525160600
 30 - 525380100

31 - 525159100
 32 - 523813300
 33 - 523630807
 34 - 523542100
 35 - 525096203
 36 - 525002700
 37 - 523541400



Roca Sanitario, S.A.

Avda. Diagonal, 513 -08029 Barcelona - SPAIN

Teléfono 93 366 1200 - Fax 93 419 4501-

www.roca.es

Roca