

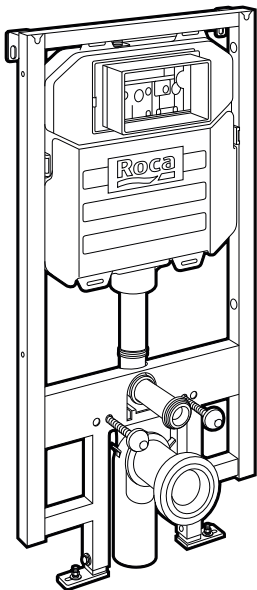
Roca

RIS
DUPLO

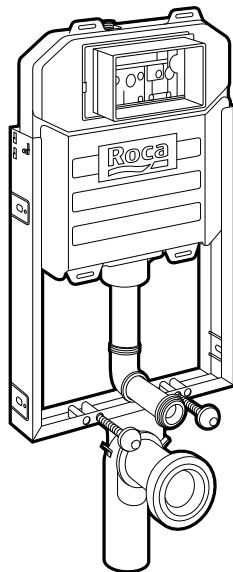
MANUAL DE RECAMBIOS
Spare parts manual

ÍNDICE

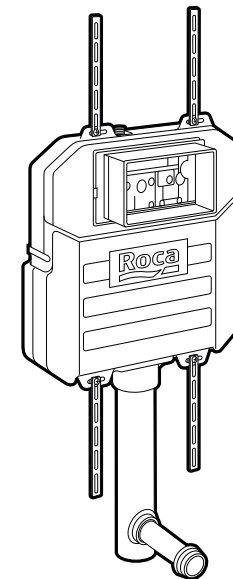
| | | | |
|-------------------------------|----|-----------------------------------|----|
| ÍNDICE | 2 | MODELOS WC L (BAJO VENTANA) | 14 |
| <i>Index</i> | | <i>Models WC L (Underwindow)</i> | |
| MODELOS COMPACT 8CM | 3 | DUPLO WC L (BAJO VENTANA) | 15 |
| <i>8cm Compact models</i> | | <i>Duplo WC L (Underwindow)</i> | |
| DUPLO WC COMPACT | 4 | BASIC TANK L (BAJO VENTANA) | 16 |
| <i>Duplo WC Compact</i> | | <i>Basic tank L (Underwindow)</i> | |
| DUPLO BASIC COMPACT | 5 | MODELOS BASIC SYSTEM | 17 |
| <i>Duplo Basic Compact</i> | | <i>Basic System models</i> | |
| DUPLO TANK COMPACT | 6 | BASIC WC SYSTEM | 18 |
| <i>Duplo tank Compact</i> | | <i>Basic WC System</i> | |
| MODELOS DUPLO SYSTEM | 7 | BASIC TANK SYSTEM | 19 |
| <i>Duplo System models</i> | | <i>Basic tank System</i> | |
| DUPLO WC SYSTEM | 8 | BASIC BD SYSTEM | 20 |
| <i>Duplo WC System</i> | | <i>Basic BD System</i> | |
| DUPLO WB SYSTEM | 9 | MODELOS PLACAS ACCIONAMIENTO | 21 |
| <i>Duplo WB System</i> | | <i>Command plates models</i> | |
| DUPLO BIDET SYSTEM | 10 | PLACAS ACCIONAMIENTO MECÁNICO | 22 |
| <i>Duplo Bidet System</i> | | <i>Mechanical command plates</i> | |
| DUPLO URINARIO SYSTEM | 11 | PLACAS ACCIONAMIENTO ELECTRÓNICO | 23 |
| <i>Duplo urinal System</i> | | <i>Electronic command plates</i> | |
| DUPLO URINARIO UNIVERSAL | 12 | CONTROL DE MODIFICACIONES | 24 |
| <i>Duplo urinal universal</i> | | <i>Version control</i> | |
| DUPLO URINARIO 1120 | 13 | | |
| <i>Duplo urinal 1120</i> | | | |



| | | |
|------------|-------|------------------|
| A890080000 | Ø 90 | Duplo WC Compact |
| A890080010 | Ø 100 | |

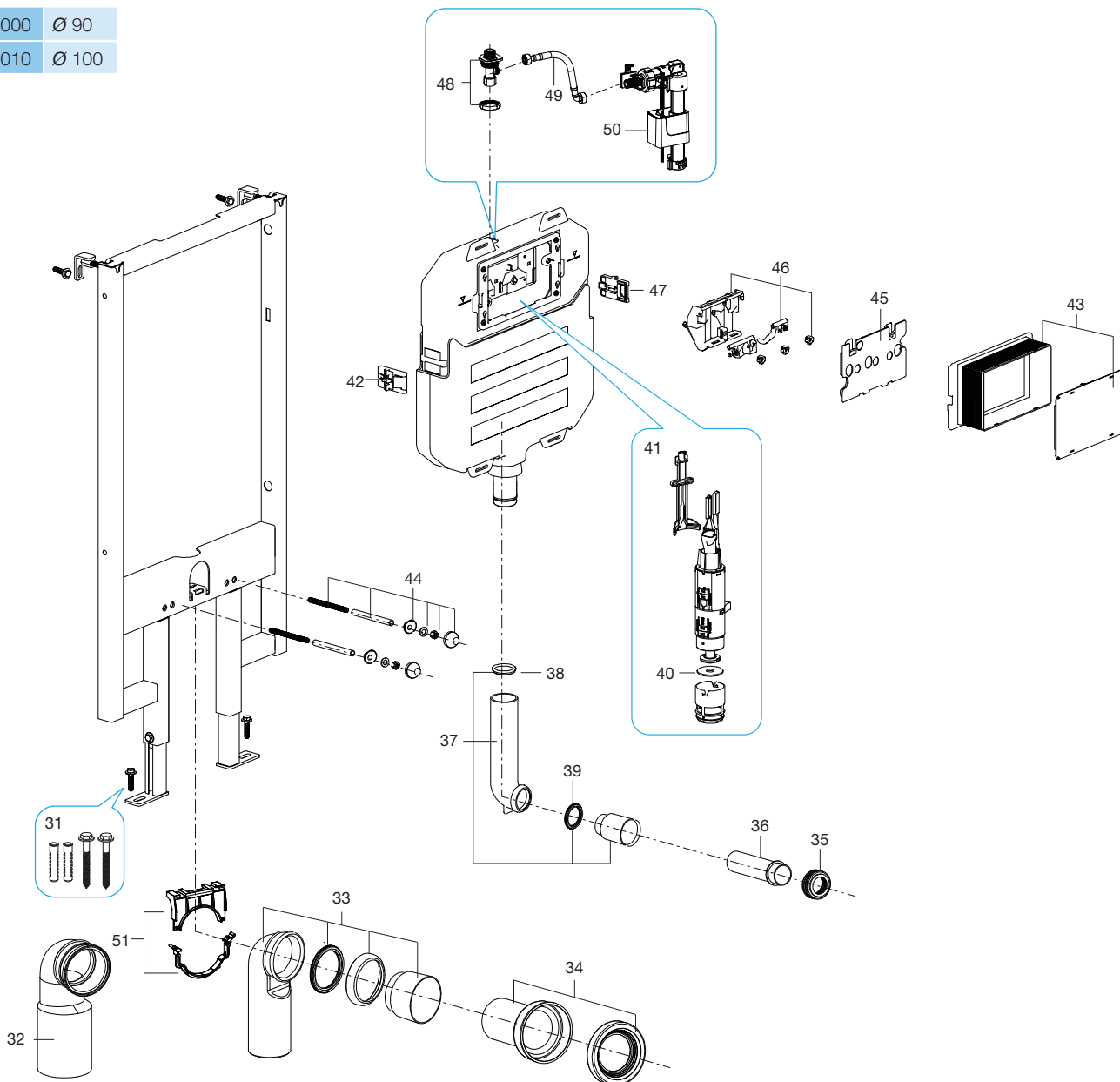


| | | |
|------------|-------|---------------------|
| A890080100 | Ø 90 | Duplo Basic Compact |
| A890080110 | Ø 100 | |



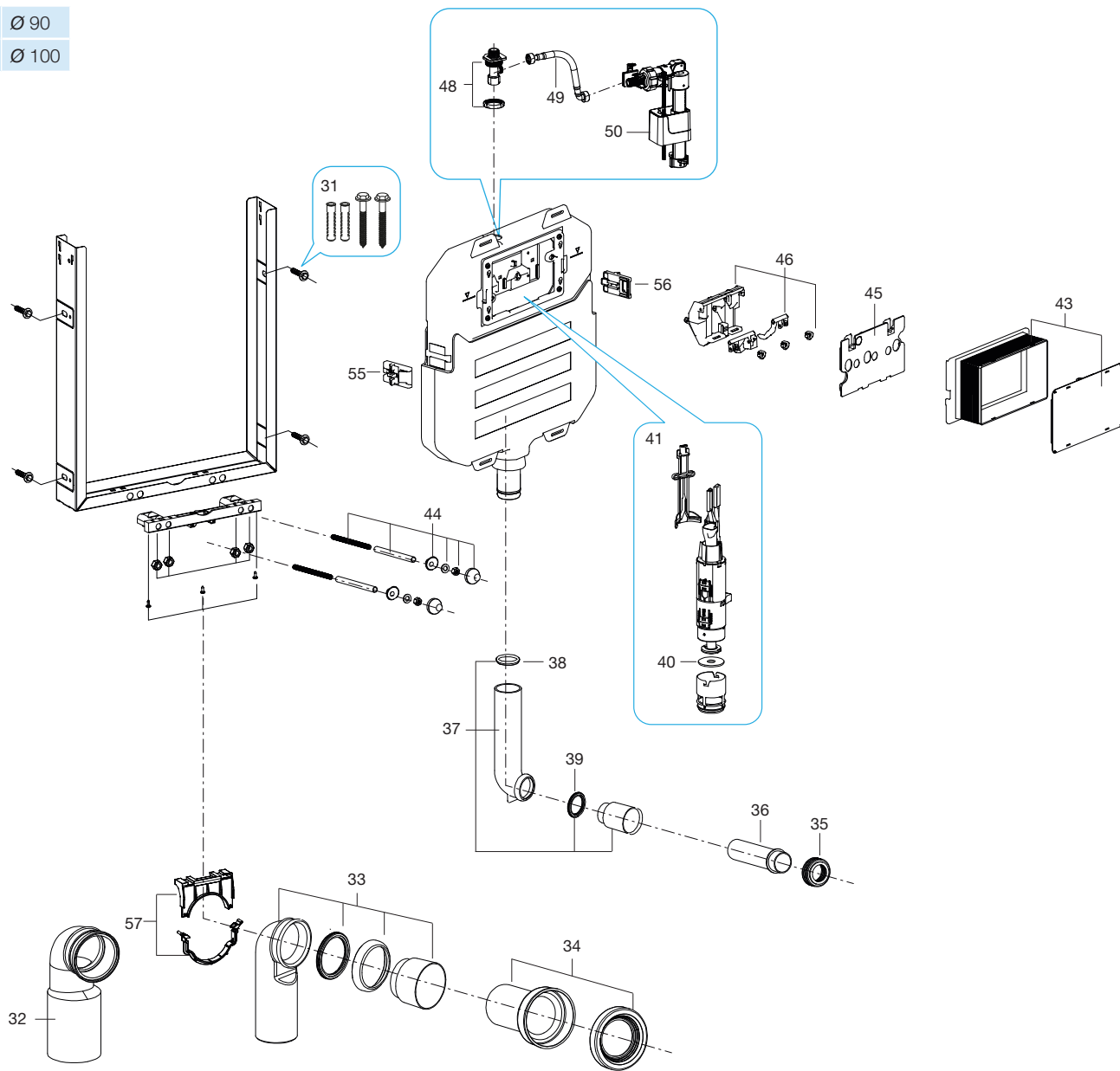
| | |
|------------|--------------------|
| A890080200 | Duplo tank Compact |
|------------|--------------------|

| | |
|------------|-------|
| A890080000 | Ø 90 |
| A890080010 | Ø 100 |



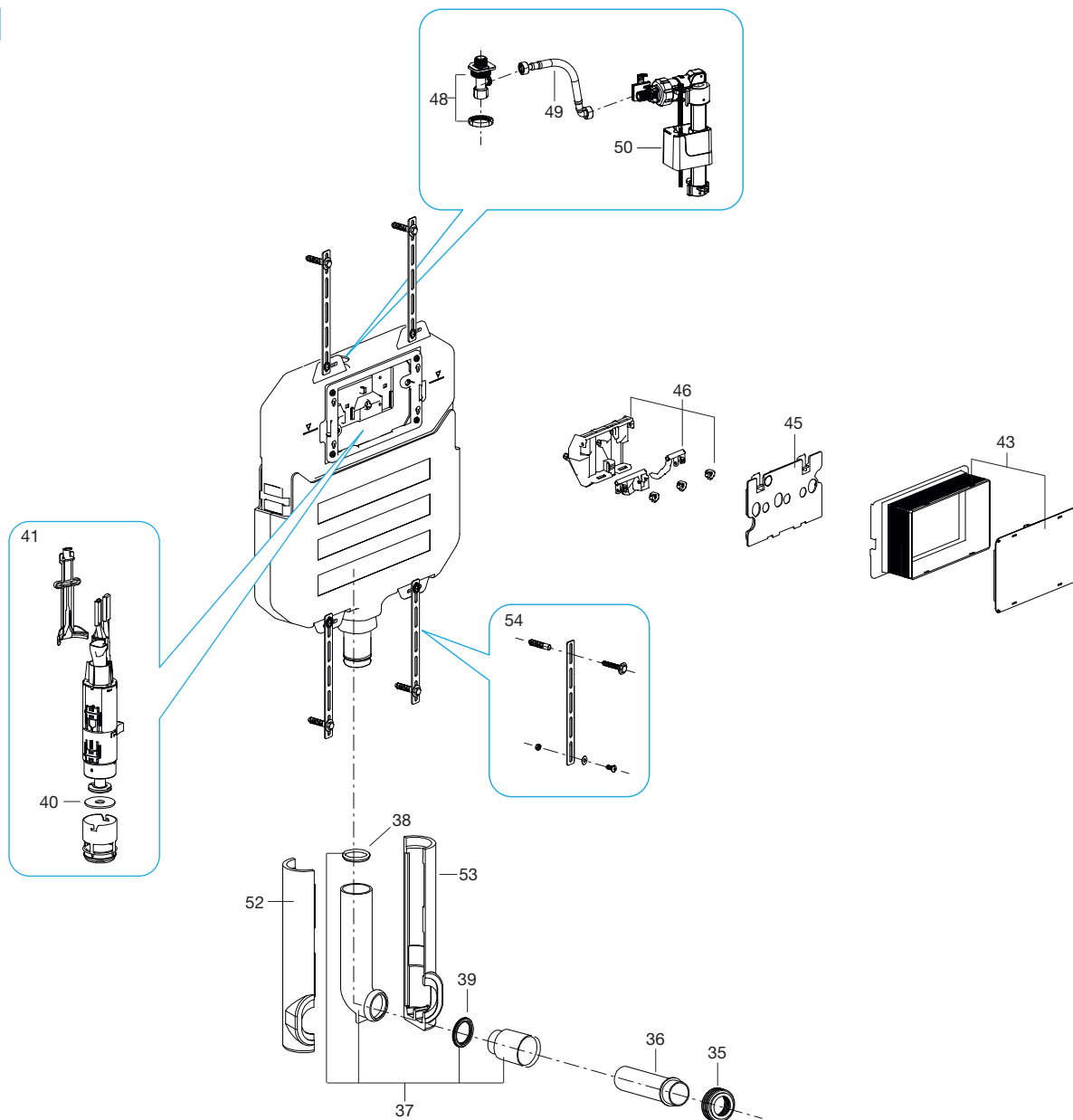
| | |
|----|-----------------|
| 31 | AV0019500R |
| 32 | AV0018800R Ø110 |
| 33 | AV0018900R Ø90 |
| 34 | |
| 35 | AV0018600R |
| 36 | |
| 37 | AV0018700R |
| 38 | AV0019000R |
| 39 | AV0019100R |
| 40 | AV0018100R |
| 41 | AV0018000R |
| 42 | |
| 43 | AV0019400R |
| 44 | AV0018400R |
| 45 | x 2 AV0018500R |
| 46 | AV0018300R |
| 47 | AV0018200R |
| 48 | AV0017700R |
| 49 | AV0017800R |
| 50 | AV0017900R |
| 51 | AV0019700R |

| | |
|------------|-------|
| A890080100 | Ø 90 |
| A890080110 | Ø 100 |



| | | |
|----|----------------|------|
| 31 | AV0019500R | |
| 32 | AV0018800R | Ø110 |
| 33 | AV0018900R | Ø90 |
| 34 | | |
| 35 | AV0018600R | |
| 36 | | |
| 35 | AV0018700R | |
| 37 | AV0019000R | |
| 38 | AV0019100R | |
| 39 | AV0019200R | |
| 40 | AV0018100R | |
| 41 | AV0018000R | |
| 43 | AV0018400R | |
| 44 | x 2 AV0018500R | |
| 45 | AV0018300R | |
| 46 | AV0018200R | |
| 48 | AV0017700R | |
| 49 | AV0017800R | |
| 50 | AV0017900R | |
| 55 | AV0020100R | |
| 56 | | |
| 57 | AV0020000R | |

A890080200



| | | |
|----|--|------------|
| 35 | | AV0018600R |
| 36 | | AV0018700R |
| 35 | | AV0019000R |
| 37 | | AV0019000R |
| 38 | | AV0019100R |
| 39 | | AV0019200R |
| 40 | | AV0018100R |
| 41 | | AV0018000R |
| 43 | | AV0018400R |
| 45 | | AV0018300R |
| 46 | | AV0018200R |
| 48 | | AV0017700R |
| 49 | | AV0017800R |
| 50 | | AV0017900R |
| 52 | | AV0019300R |
| 53 | | AV0019300R |
| 54 | | AV0019600R |



| | | |
|------------|-------|----------|
| A890090000 | Ø 90 | Duplo WC |
| A89009000K | Ø 100 | System |



| | |
|------------|-----------------|
| A890093000 | Duplo WB System |
|------------|-----------------|



| | |
|------------|-----------------|
| A890091000 | Duplo BD System |
|------------|-----------------|



| | |
|------------|-----------------|
| A890094000 | Duplo UR System |
|------------|-----------------|



| | |
|------------|--------------|
| A890094100 | UR Universal |
|------------|--------------|



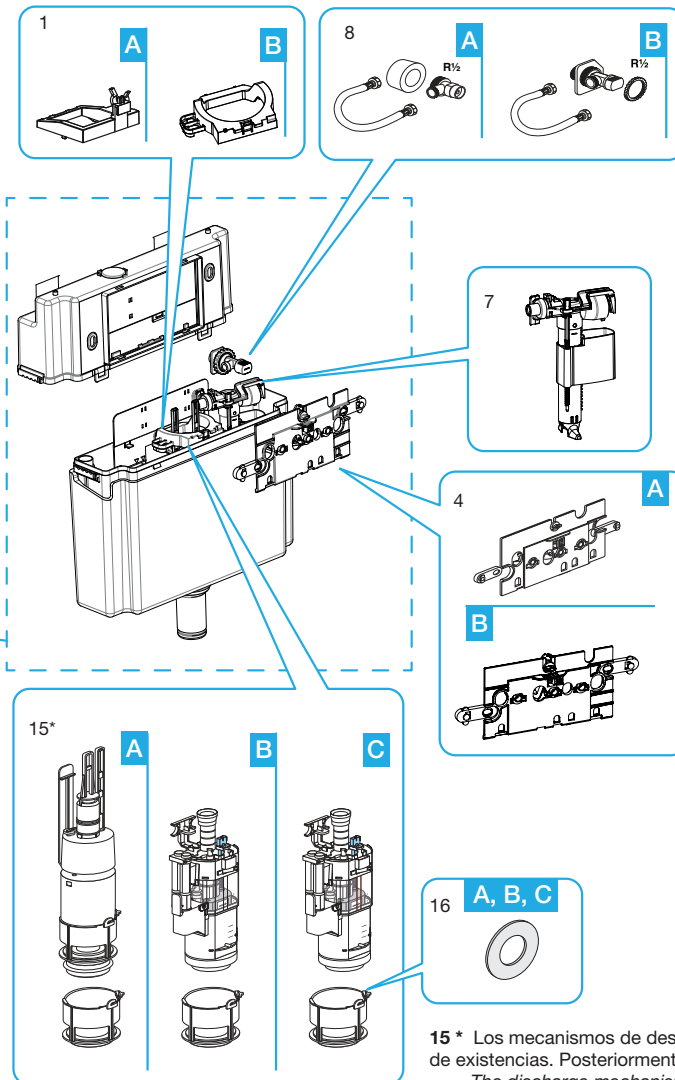
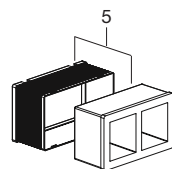
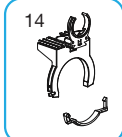
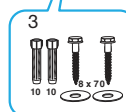
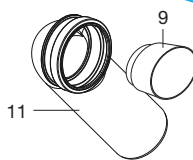
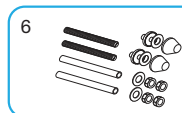
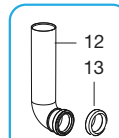
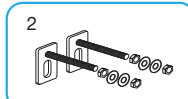
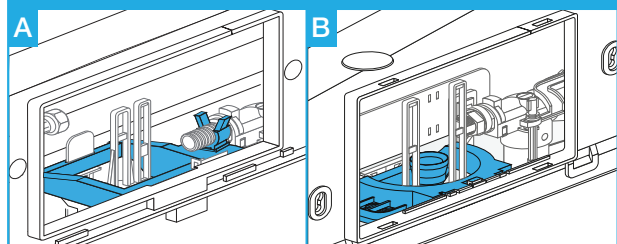
| | |
|------------|---------|
| A890094200 | UR 1120 |
|------------|---------|

A890090000 Ø 90

A89009000K Ø 100



Retirar placa y tapa de accionamiento del Duplo. Si es como en la imagen A, Duplo anterior a 2014 y si es como la imagen B, Duplo posterior a 2014. Atención a los recambios específicos de cada año.
Remove the cover and the driven plate. If it is like image A, it is prior to 2014 and if it is like the image B, Duplo is later than 2014. Attention to specific spare parts of each year.

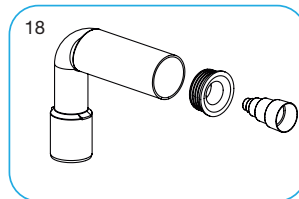
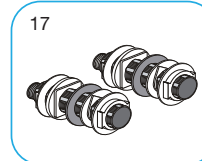
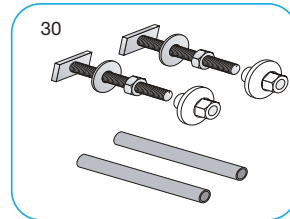
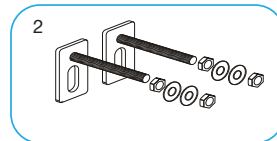
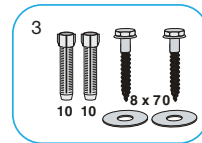
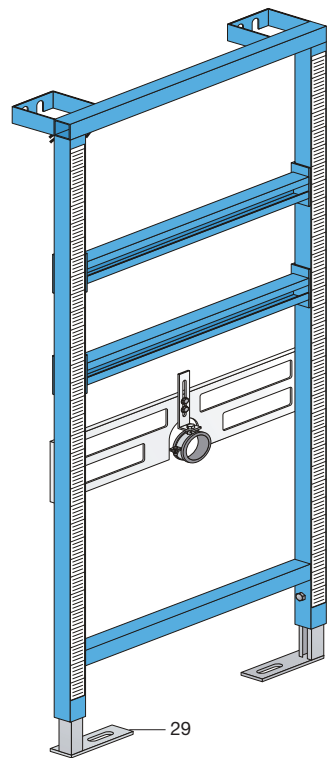


| | | |
|-----|------------|---------|
| 1 | AV0001800R | A |
| | AV0027600R | B |
| 2 | AV0011800R | |
| 3 | AV0001900R | |
| 4 | AV0011900R | A |
| | AV0025700R | B |
| 5 | AV0001200R | |
| 6 | AV0001000R | |
| 7 | AV0025600R | |
| | AV0014600R | A |
| 8 | AV0027400R | B |
| 9 | AV0012000R | |
| 10 | AV0002900R | |
| 11 | AV0001100R | D90-90 |
| | AV0004800R | D90-110 |
| 12 | AV0027300R | |
| 13 | AV0001400R | A |
| | AV0027500R | B |
| 14 | AV0003000R | |
| | AV0031100R | A |
| 15* | AV0031200R | B |
| | AV0031300R | C |
| 16 | AV0025900R | |
| 29 | AV0004900R | |

15 * Los mecanismos de descarga B anteriores a 2015, stock hasta fin de existencias. Posteriormente sustituido por C.
The discharge mechanism B before 2015, while stocks last. Later replaced by C.

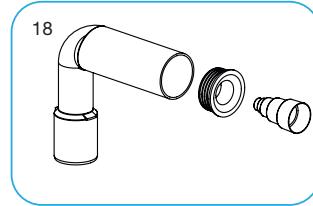
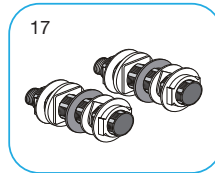
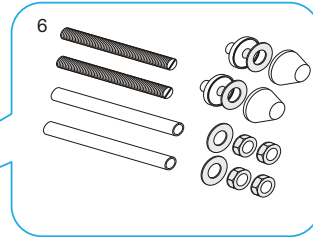
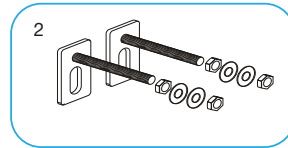
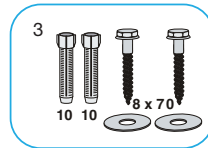
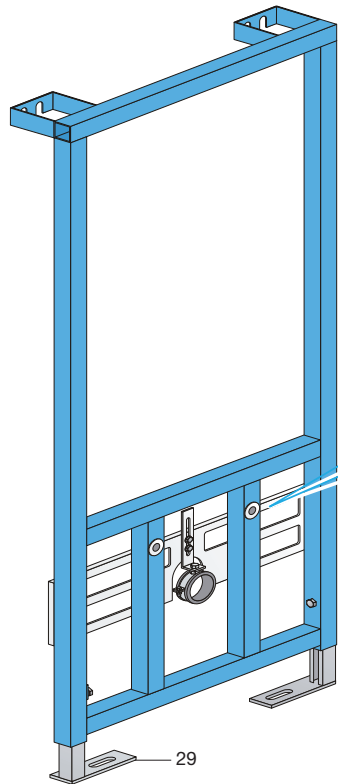
A890093000

| | |
|----|------------|
| 2 | AV0011800R |
| 3 | AV0001900R |
| 17 | AV0002100R |
| 18 | AV0002600R |
| 29 | AV0004900R |
| 30 | AV0002500R |

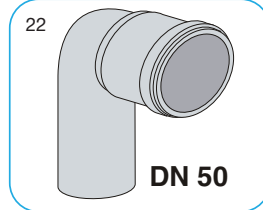
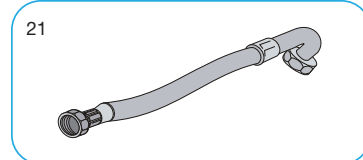
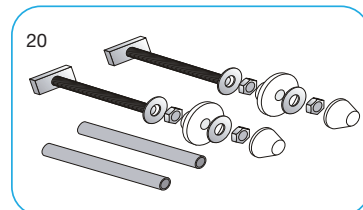
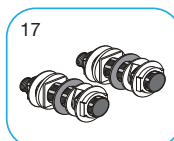
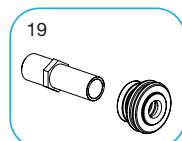
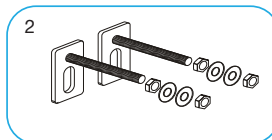
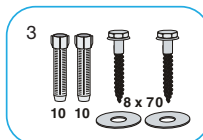
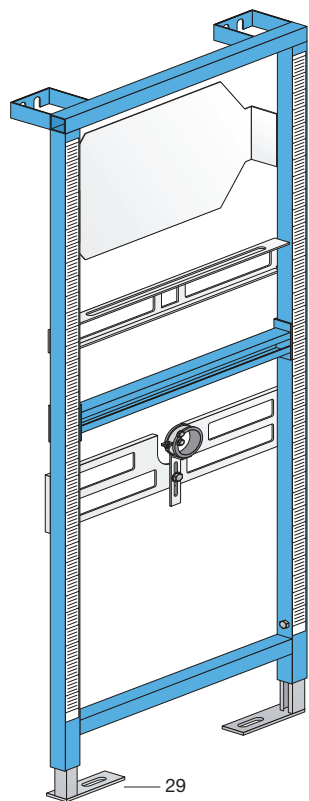


A890091000

| | |
|----|------------|
| 2 | AV0011800R |
| 3 | AV0001900R |
| 6 | AV0001000R |
| 17 | AV0002100R |
| 18 | AV0002600R |
| 29 | AV0004900R |

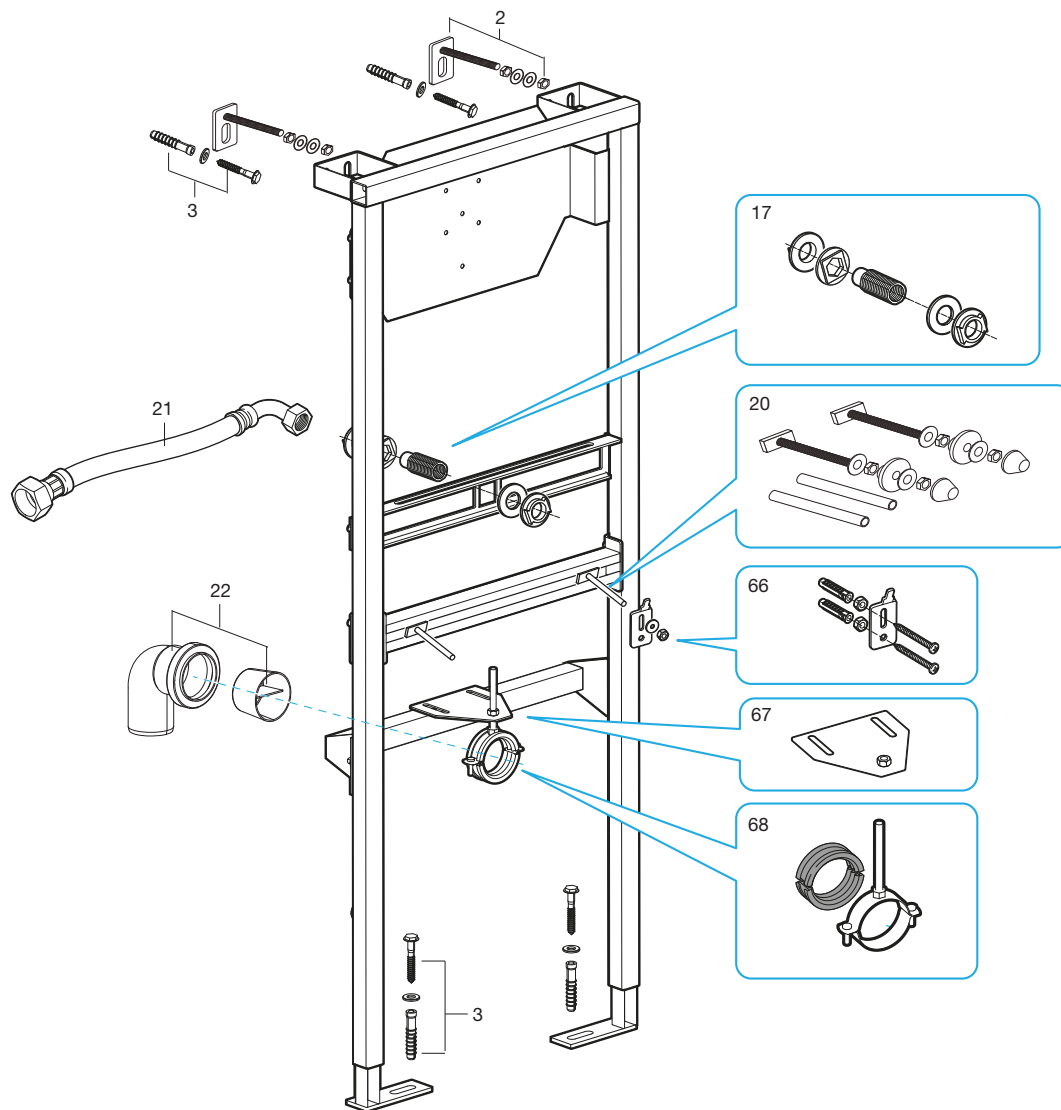


A890094000



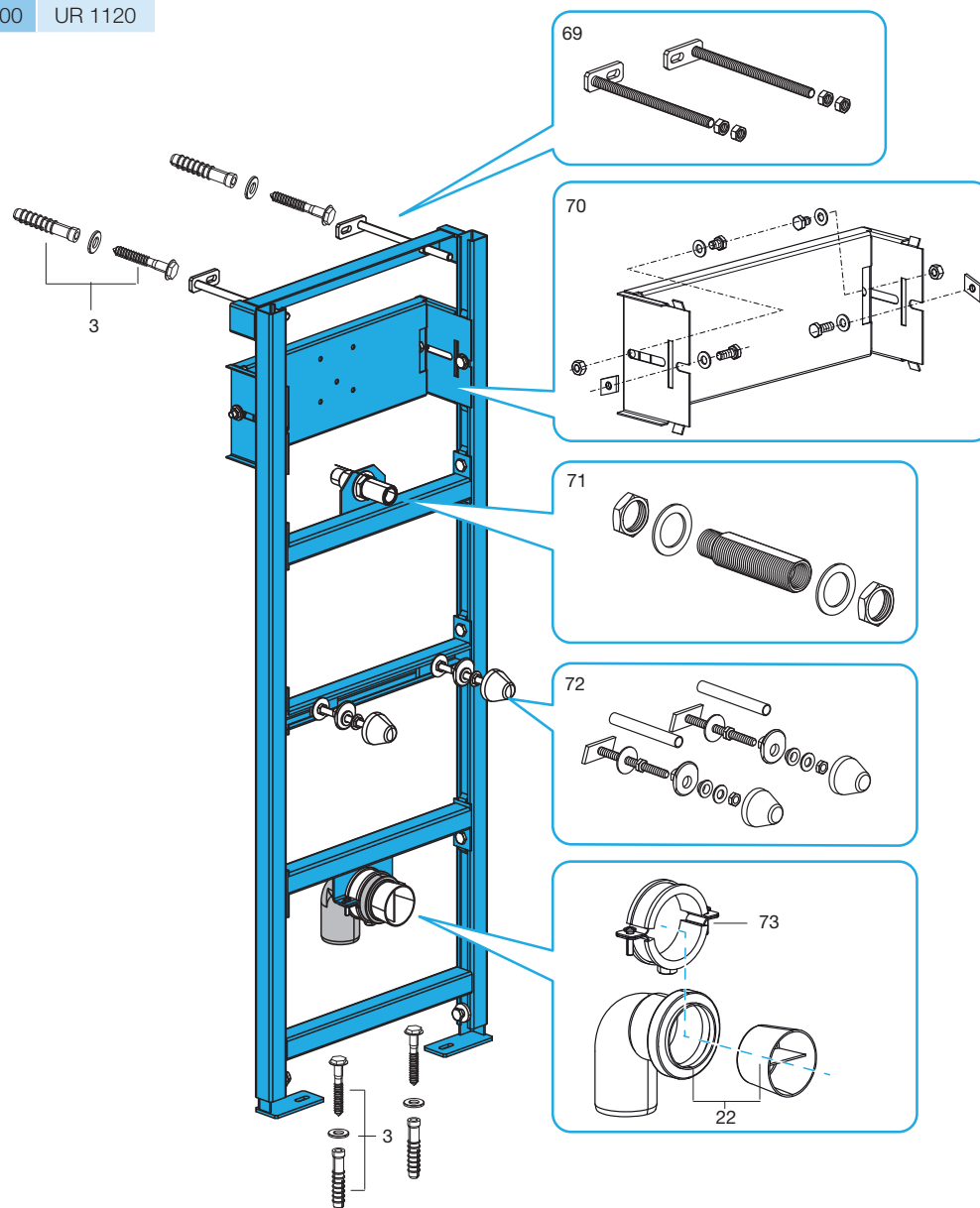
| | |
|----|---------------------------|
| 2 | AV0011800R |
| 3 | AV0001900R |
| 17 | AV0002100R |
| 19 | AV0002200R |
| 20 | AV0002300R |
| 21 | AV0002000R |
| 22 | AV0002400R <i>D50-87°</i> |
| 29 | AV0004900R |

A890094100



| | | |
|----|-----|---------------------------|
| 2 | x 2 | AV0011800R |
| 3 | x 2 | AV0001900R |
| 17 | | AV0002100R |
| 20 | | AV0002300R |
| 21 | | AV0002000R |
| 22 | | AV0002400R <i>D50-87°</i> |
| 66 | x 2 | AV0017500R |
| 67 | | AV0030700R |
| 68 | | AV0030600R |

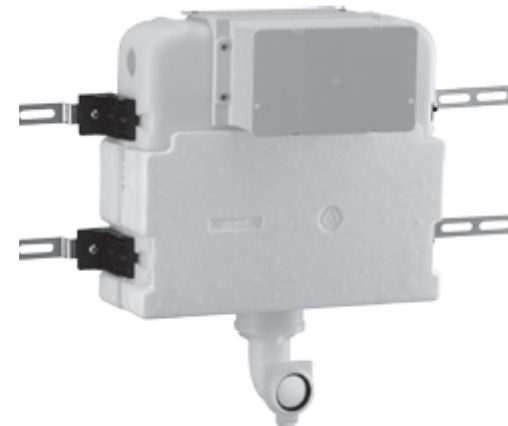
A890094200 UR 1120



| | | | |
|----|-----|------------|---------|
| 3 | x 2 | AV0001900R | |
| 22 | | AV0002400R | D50-87° |
| 69 | | AV0030100R | |
| 70 | | AV0030200R | |
| 71 | | AV0030300R | |
| 72 | | AV0030400R | |
| 73 | | AV0030500R | |

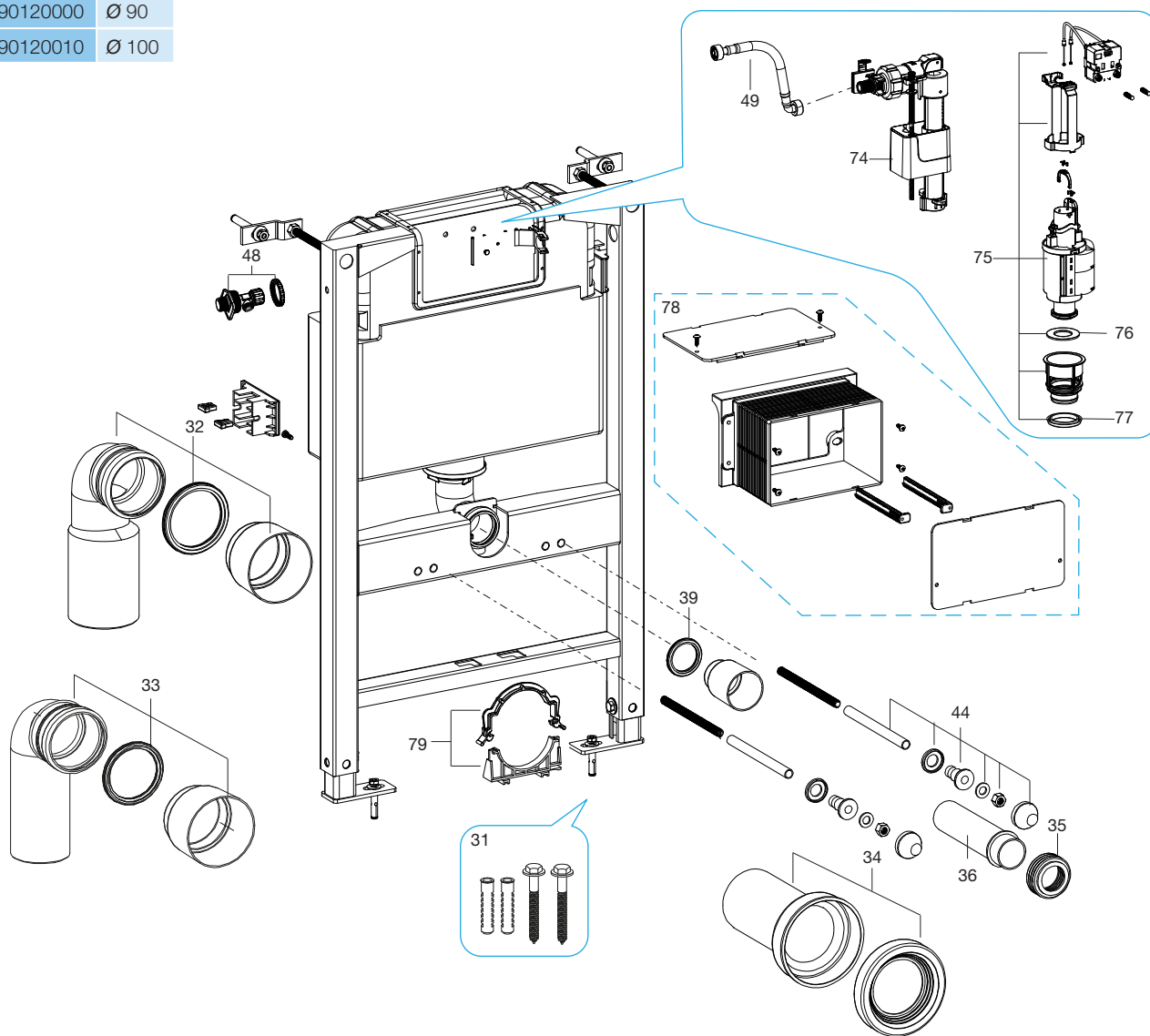


| | | |
|------------|-------|------------|
| A890120000 | Ø 90 | Duplo WC L |
| A890120010 | Ø 100 | |



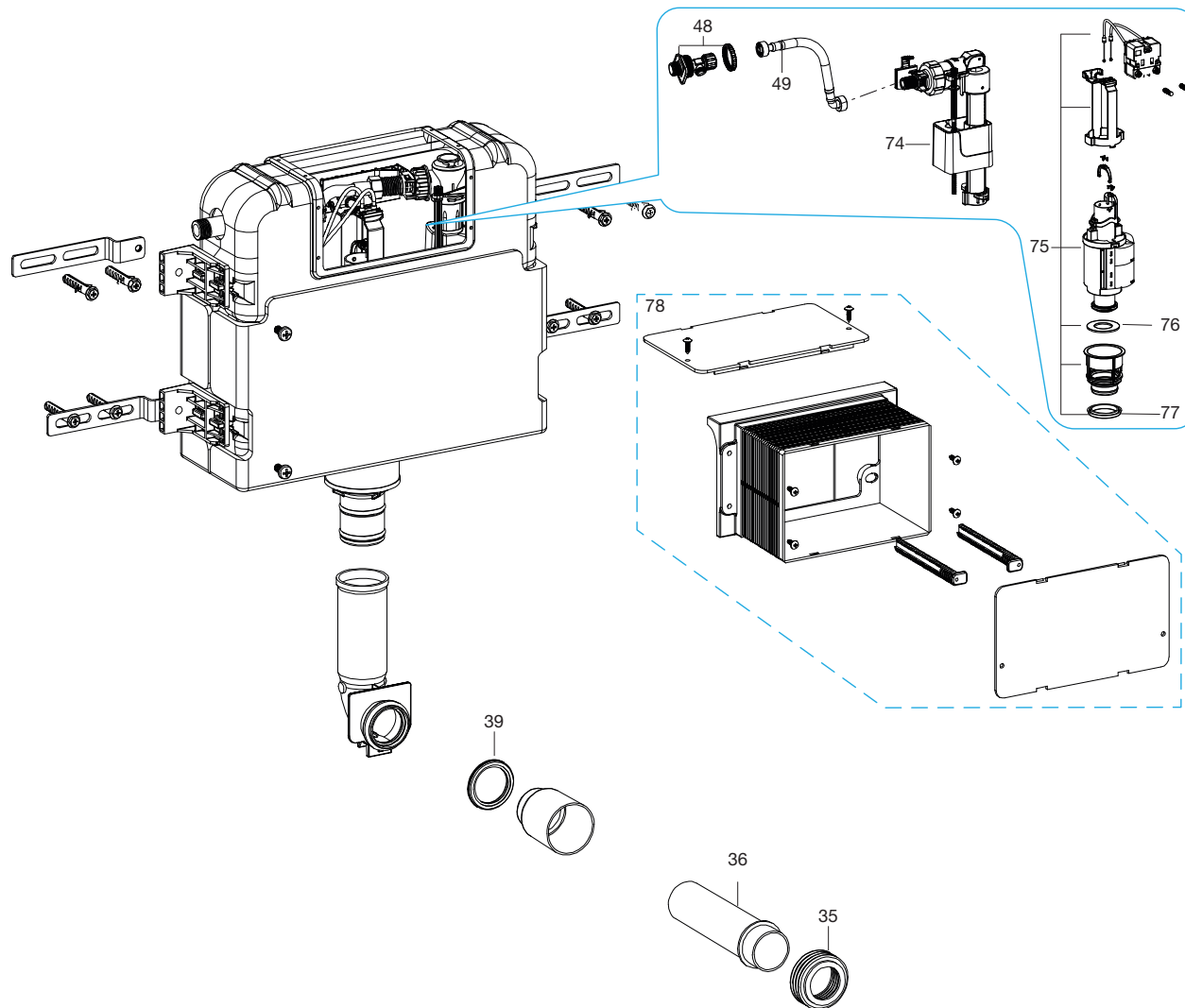
| | |
|------------|--------------|
| A890120200 | Basic tank L |
|------------|--------------|

| | |
|------------|-------|
| A890120000 | Ø 90 |
| A890120010 | Ø 100 |



| | | |
|----|------------|------------|
| 31 | AV0019500R | |
| 32 | AV0018800R | Ø110 |
| 33 | AV0018900R | Ø90 |
| 34 | | |
| 35 | AV0018600R | |
| 36 | | |
| 35 | AV0018700R | |
| 39 | AV0019200R | |
| 44 | x 2 | AV0018500R |
| 48 | AV0017700R | |
| 49 | AV0017800R | |
| 74 | AV0029400R | |
| 75 | AV0031400R | |
| 76 | AV0031500R | |
| 77 | AV0031500R | |
| 78 | AV0031600R | |
| 79 | AV0031700R | |

A890120200



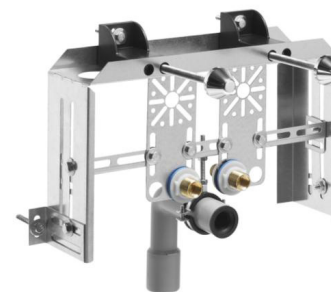
| | |
|----|------------|
| 35 | AV0018600R |
| 36 | AV0018700R |
| 35 | AV0018700R |
| 39 | AV0019200R |
| 48 | AV0017700R |
| 49 | AV0017800R |
| 74 | AV0029400R |
| 75 | AV0031400R |
| 76 | AV0031500R |
| 77 | AV0031500R |
| 78 | AV0031600R |



| | | |
|------------|-------|-----------------|
| A890090100 | Ø 90 | Basic WC System |
| A89009010K | Ø 100 | |

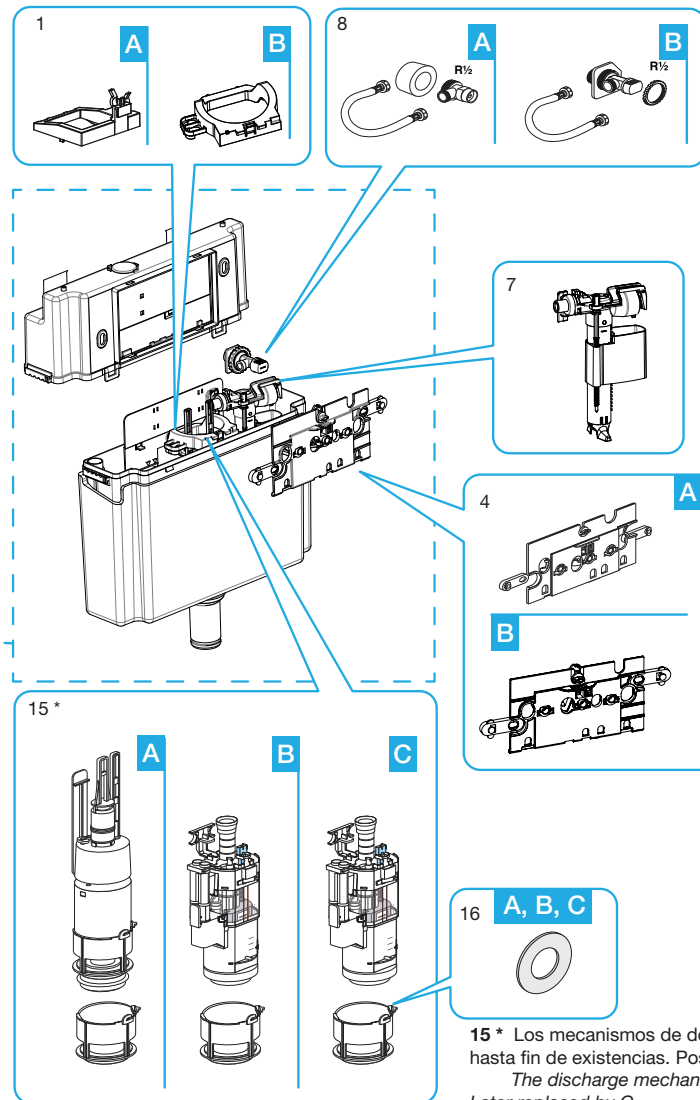
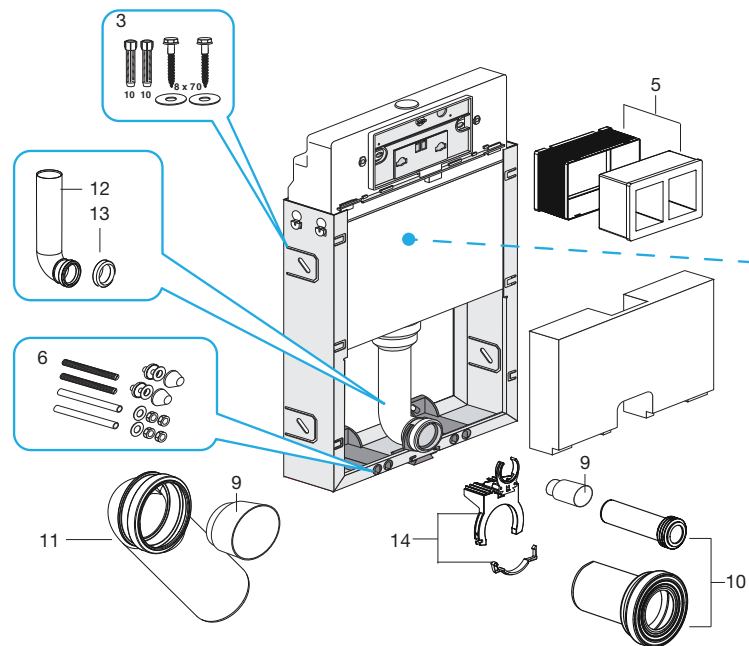
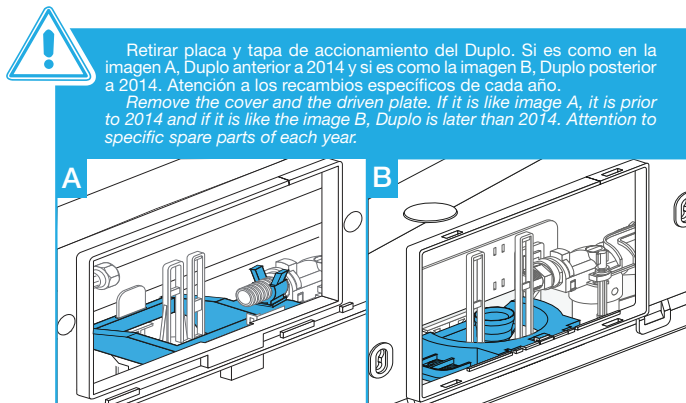


| | |
|------------|-----------------|
| A890090200 | Basic TK System |
|------------|-----------------|



| | |
|------------|-----------------|
| A890091100 | Basic BD System |
|------------|-----------------|

| | |
|------------|-------|
| A890090100 | Ø 90 |
| A89009010K | Ø 100 |



| | | |
|-----|------------|---------|
| 1 | AV0001800R | A |
| | AV0027600R | B |
| 3 | AV0001900R | |
| 4 | AV0011900R | A |
| | AV0025700R | B |
| 5 | AV0001200R | |
| 6 | AV0001000R | |
| 7 | AV0025600R | |
| 8 | AV0014600R | A |
| | AV0027400R | B |
| 9 | AV0012000R | |
| 10 | AV0002900R | |
| 11 | AV0001100R | D90-90 |
| | AV0004800R | D90-110 |
| 12 | AV0027300R | |
| 13 | AV0001400R | A |
| | AV0027500R | B |
| 14 | AV0003000R | |
| | AV0031100R | A |
| 15* | AV0031200R | B |
| | AV0031300R | C |
| 16 | AV0025900R | A |

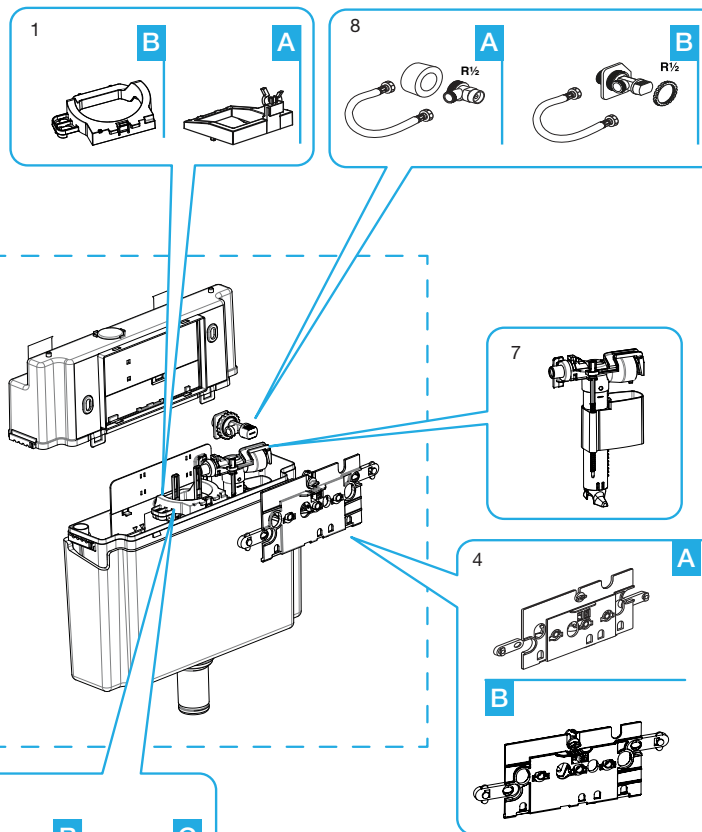
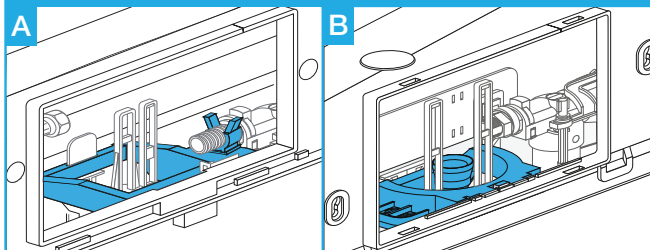
15 * Los mecanismos de descarga B anteriores a 2015, stock hasta fin de existencias. Posteriormente sustituido por C.
The discharge mechanism B before 2015, while stocks last. Later replaced by C.

A890090200

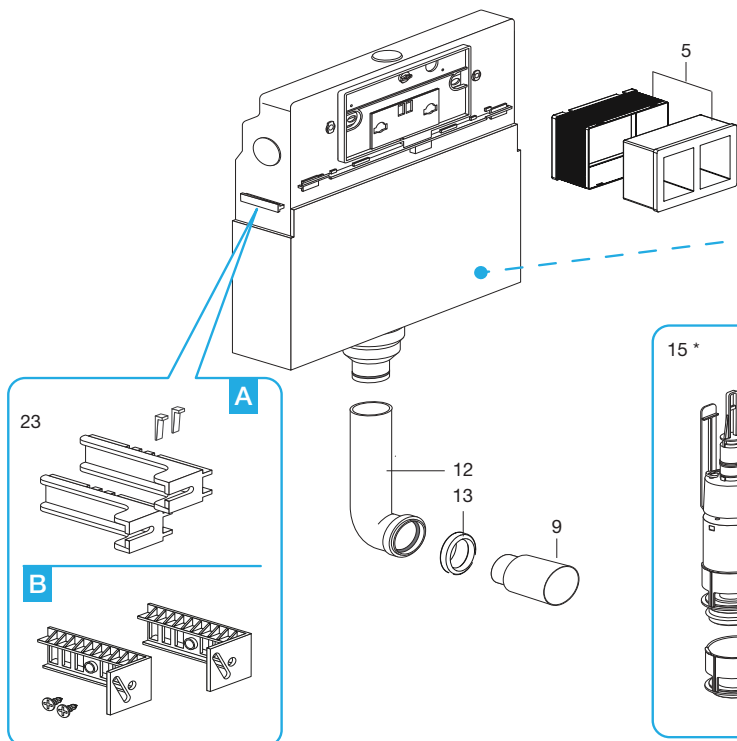


Retirar placa y tapa de accionamiento del Duplo. Si es como en la imagen A, Duplo anterior a 2014 y si es como la imagen B, Duplo posterior a 2014. Atención a los recambios específicos de cada año.

Remove the cover and the driven plate. If it is like image A, it is prior to 2014 and if it is like image B, Duplo is later than 2014. Attention to specific spare parts of each year.



| | | |
|-----|------------|---|
| 1 | AV0001800R | A |
| | AV0027600R | B |
| 4 | AV0011900R | A |
| | AV0025700R | B |
| 5 | AV0001200R | |
| 7 | AV0025600R | |
| 8 | AV0014600R | A |
| | AV0027400R | B |
| 9 | AV0012000R | |
| 12 | | |
| 13 | AV0027300R | |
| | AV0001400R | A |
| 13 | AV0027500R | B |
| | AV0031100R | A |
| 15* | AV0031200R | B |
| | AV0031300R | C |
| 16 | AV0025900R | |
| | AV0001600R | A |
| 23 | AV0032000R | B |

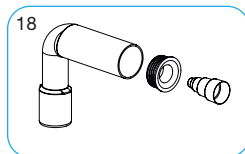
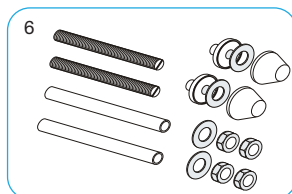
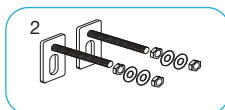
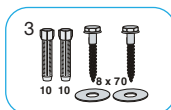
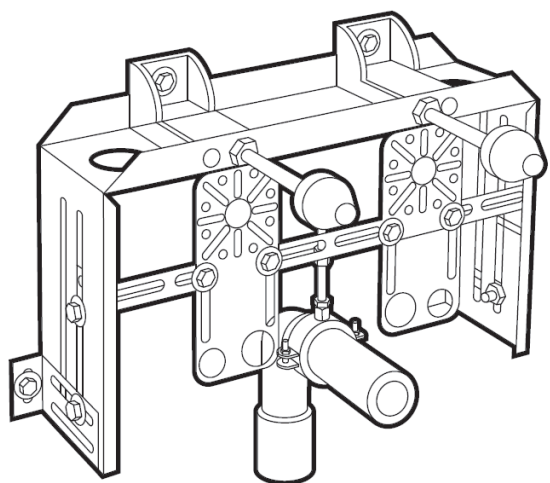


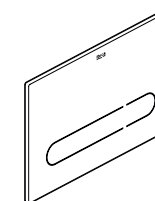
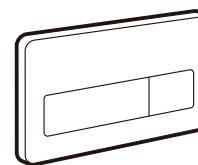
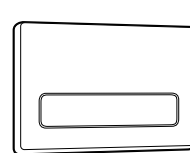
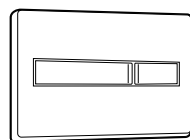
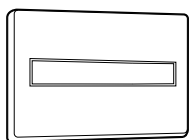
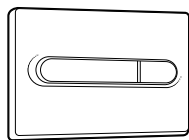
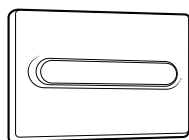
15* Los mecanismos de descarga B anteriores a 2015, stock hasta fin de existencias. Posteriormente sustituido por C.

The discharge mechanism B before 2015, while stocks last. Later replaced by C.

A890091100

| | |
|----|------------|
| 2 | AV0011800R |
| 3 | AV0001900R |
| 6 | AV0001000R |
| 18 | AV0002600R |



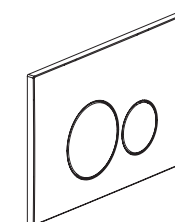
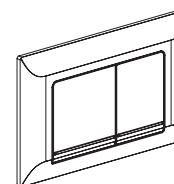
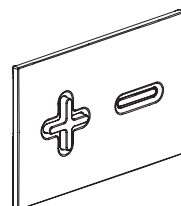
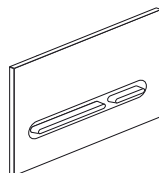
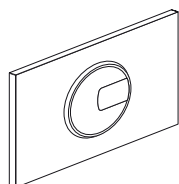


| PL1 | | | |
|--------|------------|----------------|--------------|
| Single | A890095100 | Blanca | White |
| Dual | A890095000 | Blanca | White |
| | A890095001 | Cromada brillo | Shine chrome |
| | A890095002 | Lacada gris | Matt |
| | A890095005 | Combi* | |

| PL2 | | | |
|--------|------------|----------------|--------------|
| Single | A890096100 | Blanca | White |
| Dual | A890096000 | Blanca | White |
| | A890096001 | Cromada brillo | Shine chrome |
| | A890096002 | Lacada gris | Matt |
| | A890096005 | Combi* | |

| PL3 ANTIVANDÁLICA PL3 Vandalproof Acero Inoxidable / Stainless steel | | |
|--|------------|-------------------|
| Single | A890097104 | |
| Dual | A890097004 | |
| Dual | A890097200 | 6/3L |
| Electrónica | A890097400 | 6/3, 4.5/3, 4/2 L |

| EP-1 DUAL ELECTRONICA/ Electronic | |
|--------------------------------------|--|
| A890102008 | |



| PL4 DUAL | | |
|------------|-------------|--------|
| A890098001 | Cromada | Chrome |
| A890098005 | Combi* | |
| A890098002 | Lacada gris | Matt |
| A890098000 | Blanca | White |

| PL5 DUAL | | |
|------------|-------------|--------|
| A890099001 | Cromada | Chrome |
| A890099005 | Combi* | |
| A890099002 | Lacada gris | Matt |
| A890099000 | Blanca | White |

| PL6 DUAL | | |
|------------|-------------|--------|
| A890085001 | Cromada | Chrome |
| A890085005 | Combi* | |
| A890085002 | Lacada gris | Matt |
| A890085000 | Blanca | White |

| L1 DUAL | | |
|------------|-------------|--------|
| A890086001 | Cromada | Chrome |
| A89008602 | Lacada gris | Matt |
| A890086000 | Blanca | White |

| L2 DUAL | | |
|------------|---------------------|--------------------|
| A890087001 | Cromada | Chrome |
| A890087004 | Acero Inoxidable | Stainless steel |

Combi*: Placa blanca y pulsadores lacados gris / White plate & push-buttons matt.

PL1 SINGLE

A890095100

PL2 SINGLE

A890096100

PL1 DUAL

A890095000

A890095001

A890095002

A890095005

PL2 DUAL

A890096000

A890096001

A890096002

A890096005

PL4 DUAL

A890098001

A890098005

A890098002

A890098000

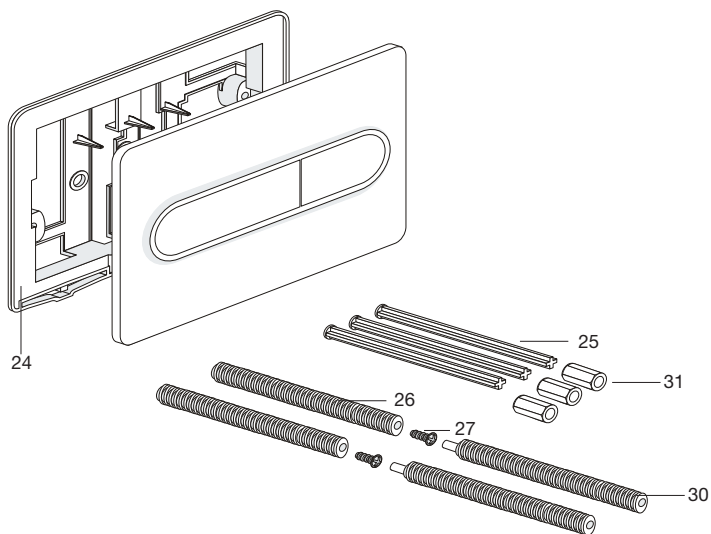
PL6 DUAL

A890085001

A890085005

A890085002

A890085000



| | | |
|----|-----|--------------------------------------|
| 24 | | AV0000700R |
| 25 | x 3 | AV0000900R |
| 26 | x 2 | |
| 27 | x 2 | AV0026000R <i>Extra-long rods</i> |
| 25 | x 3 | |
| 26 | x 2 | |
| 27 | x 2 | |
| 30 | x 2 | |
| 31 | x 3 | |

PL3 SINGLE

A890097104

PL3 DUAL

A890097004

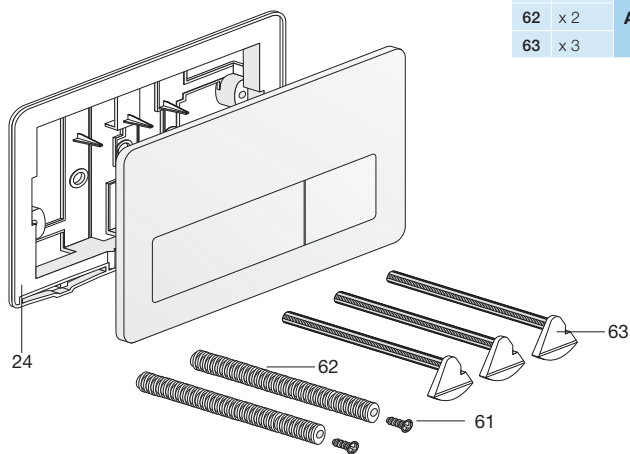
PL5 DUAL

A890099001

A890099005

A890099002

A890099000



| | | |
|----|-----|------------|
| 24 | | AV0000700R |
| 61 | x 2 | AV0000800R |
| 62 | x 2 | |
| 63 | x 3 | |

L1 DUAL

A890086001

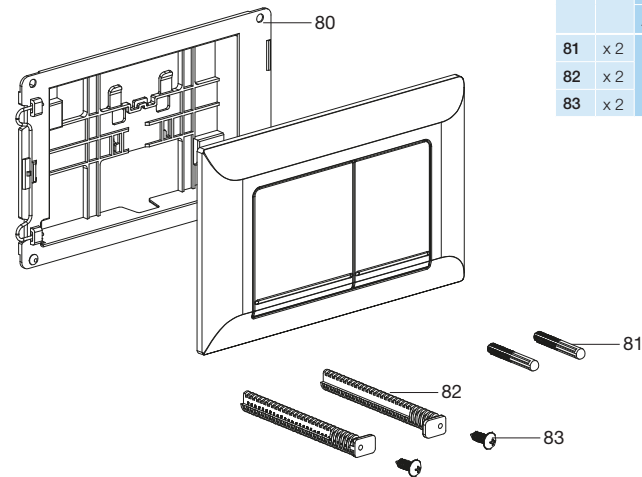
A89008602

A890086000

L2 DUAL

A890087001

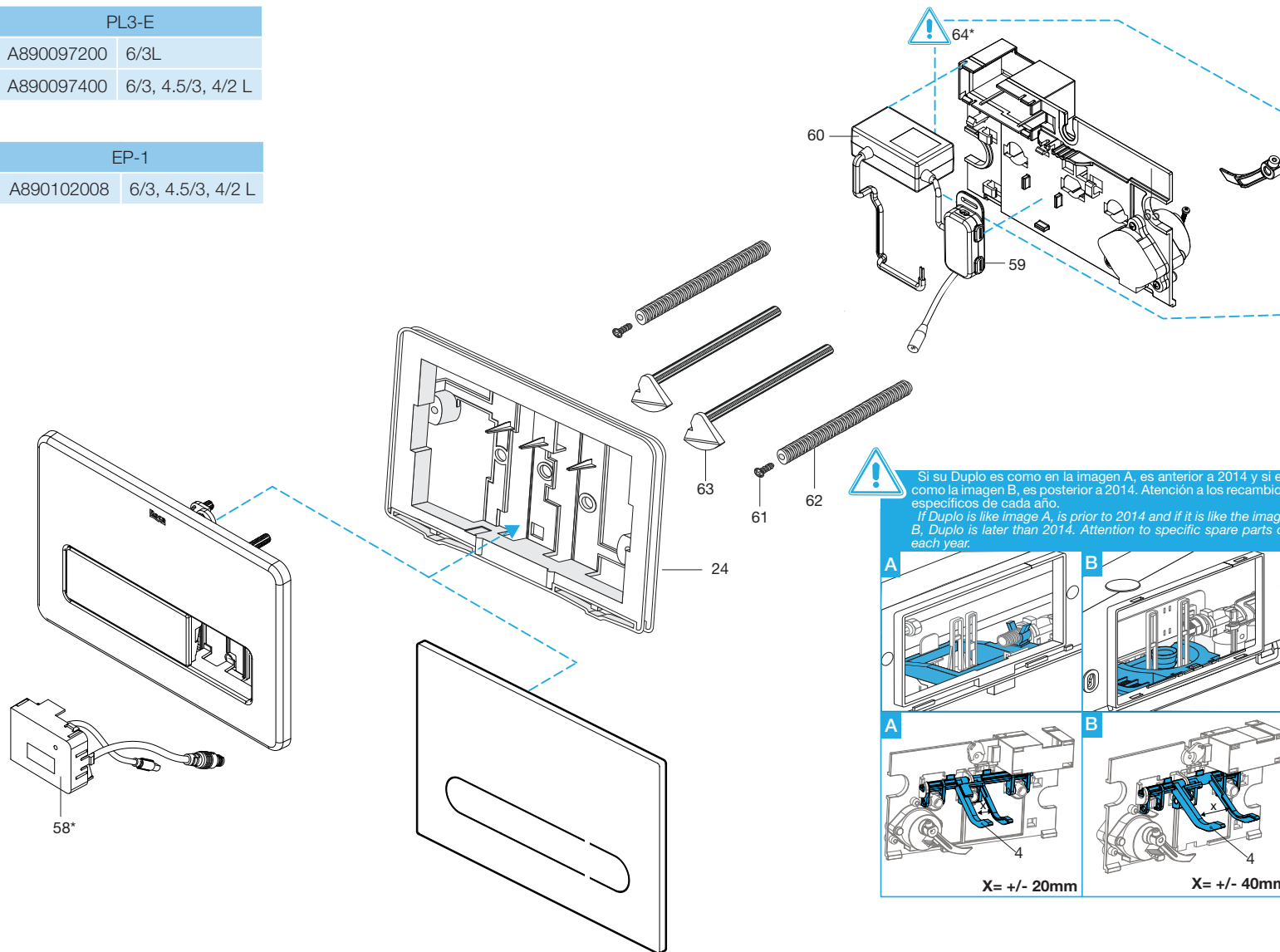
A890087004



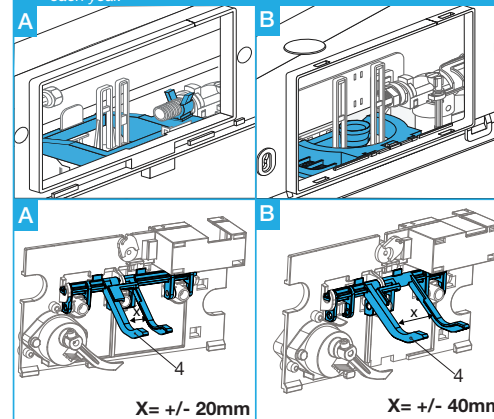
| | | | |
|----|-----|------------|---------|
| 80 | | AV0027800R | L1 |
| | | AV0029000R | L2 |
| | | AV0030000R | L2 inox |
| 81 | x 2 | AV0027700R | |
| 82 | x 2 | | |
| 83 | x 2 | | |

| PL3-E | |
|------------|-------------------|
| A890097200 | 6/3L |
| A890097400 | 6/3, 4.5/3, 4/2 L |

| EP-1 | |
|------------|-------------------|
| A890102008 | 6/3, 4.5/3, 4/2 L |



Si su Duplo es como en la imagen A, es anterior a 2014 y si es como la imagen B, es posterior a 2014. Atención a los recambios específicos de cada año.
If Duplo is like image A, is prior to 2014 and if it is like the image B, Duplo is later than 2014. Attention to specific spare parts of each year.



| | | |
|-----|------------|------------|
| 4 | AV0011900R | A |
| | AV0025700R | B |
| 24 | AV0000700R | |
| 58* | AV0021200R | A |
| | AV0033500R | A ó B |
| 59 | AG0103407R | |
| 60 | AG0093507R | |
| 61 | x 2 | |
| 62 | x 2 | AV0000800R |
| 63 | x 3 | |
| 64* | AV0021300R | A |
| | AV0031800R | A ó B |
| 65 | AV0021400R | |

58/64* Los recambios A anteriores a 2015, stock hasta fin de existencias. Posteriormente sustituido por B.
The spare parts A before 2015, while stocks last. Later replaced by B.

| Versión <i>Version</i> | Fecha <i>Date</i> | Página <i>Page</i> | Modificación <i>Update</i> |
|----------------------------------|-----------------------------|------------------------------|---|
| a | 2012/06/22 | TODAS <i>All</i> | Creación Manual Recambios Ris IN-WALL <i>Release Spare Part Manual Ris IN-WALL</i> |
| b | 2013/03/25 | 3-6 | Se añaden modelos COMPACT y se actualiza nombre Ris DUPLO <i>COMPACT models added, and update name Ris DUPLO</i> |
| c | 2013/09/27 | 18 | Se añade placa PL3-E Ris DUPLO <i>Command plate PL3-E added Ris DUPLO</i> |
| d | 2014/07/10 | 7-8, 12-14, 17 | Actualización recambios Ris DUPLO <i>Spare parts update Ris DUPLO</i> |
| e | 2015/09/04 | 8, 12-16,18-19, 21-23 | Nuevos modelos y actualización / <i>New models & update</i> Duplos UR, Duplo WC L, PL-3, PL-4, PL-5, PL-6, L1, L2, EP-1 |
| f | 2015/11/11 | 8, 13, 15,18-19, 21, 23 | Actualización recambios Ris DUPLO <i>Spare parts update Ris DUPLO</i> |



Roca Sanitario, S.A.
Avda. Diagonal, 513
08029 Barcelona
SPAIN
www.roca.com

**902
304
848** 
**LÍNEA DE
ATENCIÓN AL
CONSUMIDOR
ESPAÑA**

**902
400
423** 
**SERVICIO
TÉCNICO
ESPAÑA**


productsupport.rs@roca.net
soporteproducto.rs@roca.net