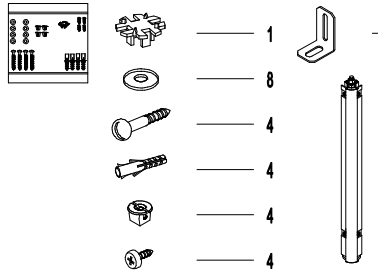
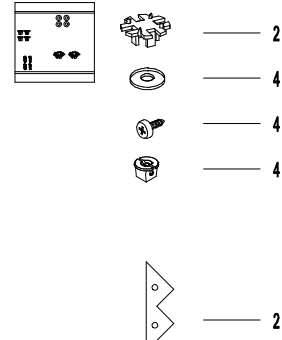


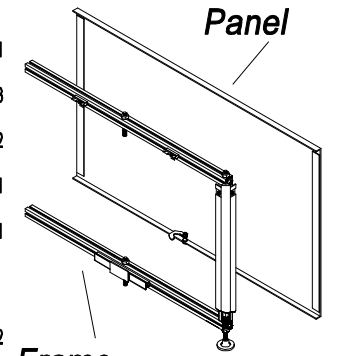
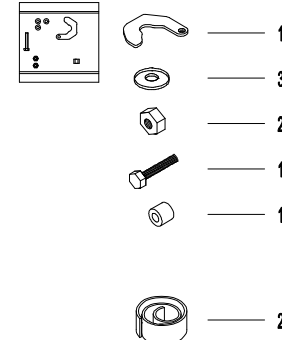
Set corner



Side panel



Set



Frame

0 Bath assembly

1 Frame assembly

a Attach the brackets on the side panel frame using the plastic fixings.

Instructions for plastic fixings

1. Insert
2. Position
3. Affix bracket

b Stick velcro strips onto the corners

Clean the surface for the velcro with isopropyl alcohol.

Leave to dry, remove the protective paper, position the velcro and apply pressure.

Let the velcro set for at least 10 minutes at room temperature.

c Loosen the corner screws without removing them.

LOOSEN BY 1 TURN ONLY!

d Top location: Fit and adjust feet.

N.B.: Ensure that the top part of the corners touches the bottom edge of the bath.

Fit feet

Modify height (by means of the threaded rods) until the stops rest on the bath, levelling the structure horizontally. Remove stop if necessary.

e Frame adjustment: Remove frame, assemble panel and adjust frame length. Once adjusted, tighten the nuts.

ADJUST ONLY WHERE THE PANEL IS INITIALLY OUT OF LINE WITH THE FRAME

1. Loosen nuts
2. Adjust length
3. Tighten nuts

f Bottom location with lower threaded bolts.

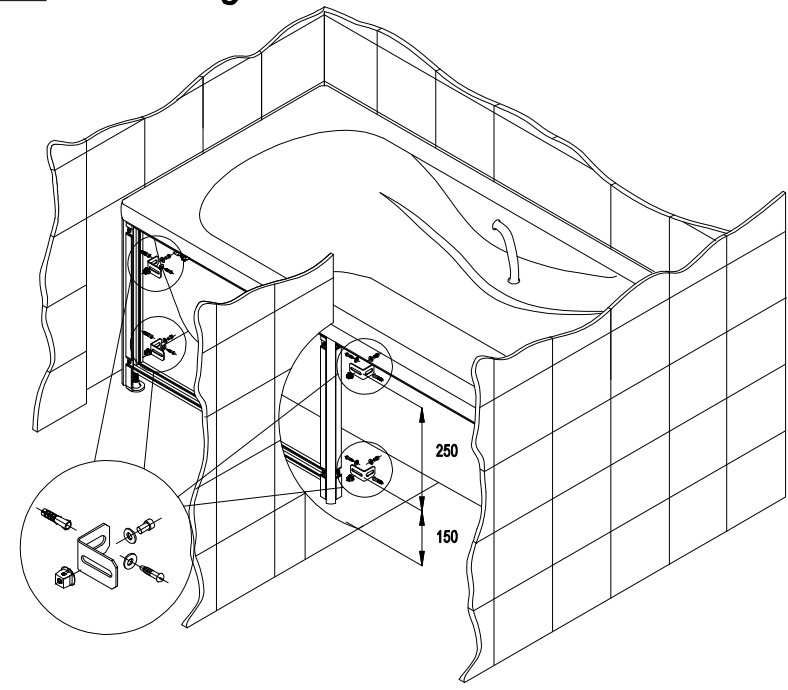
g Adjust the springs: They must be flush vertically. Bring them close to the edge of the bath so that the structure is parallel to the bath. The springs can be moved sideways.

h Assembled frame. Level vertically.

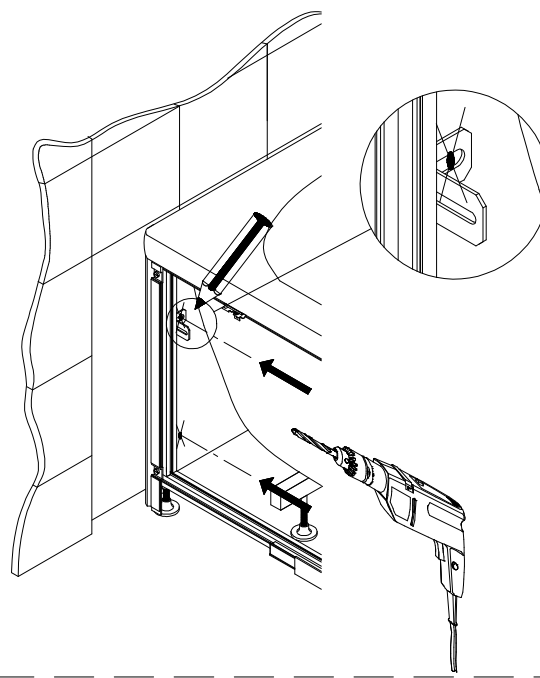
i Position corners. Level vertically.

j Tighten corner screws (not necessary for those against the wall).

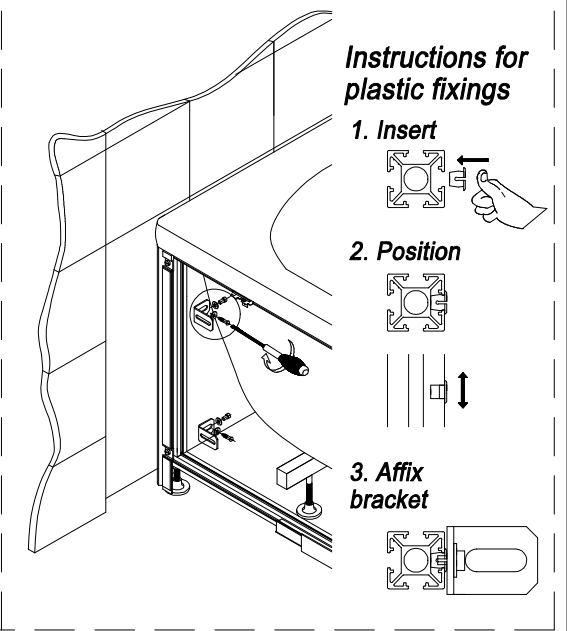
2 Wall fixings



a Mark and drill holes in the wall.

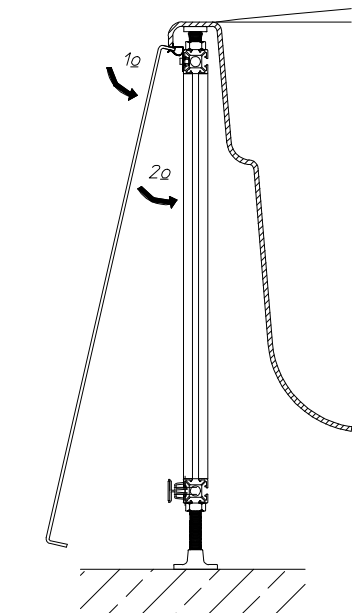


b Attach brackets. Affix brackets to the frame using the plastic fixings.



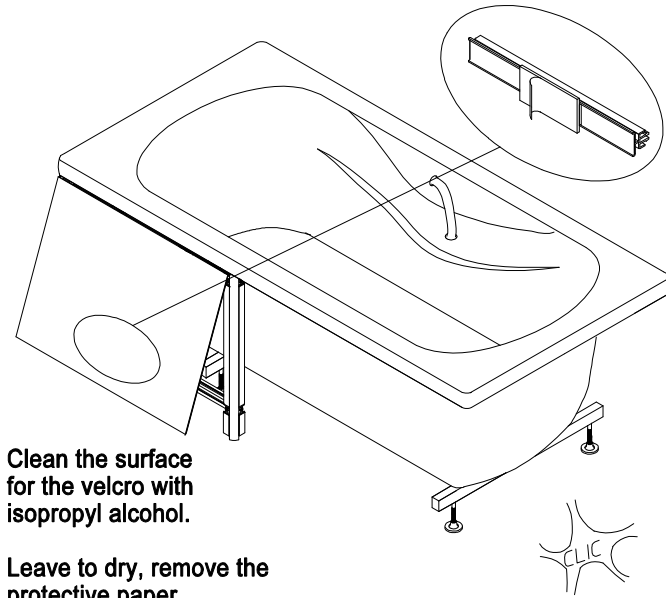
3 Panel assembly

Insert the panel by the top section first, checking that it fits into the corner and spring slots.

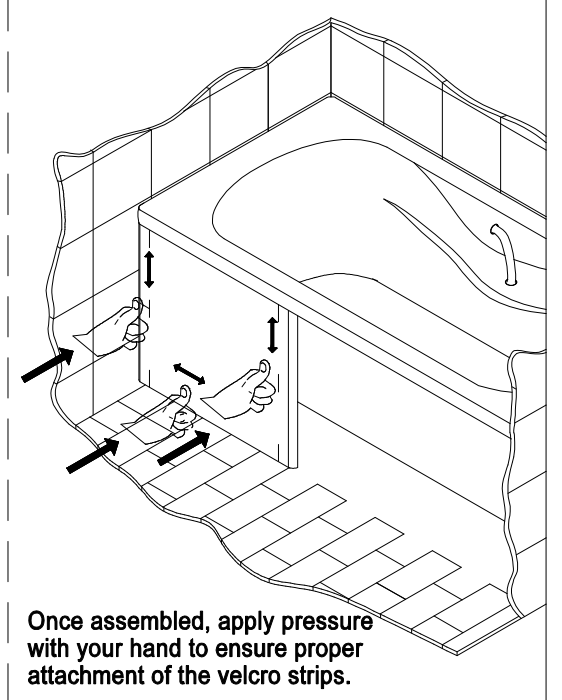
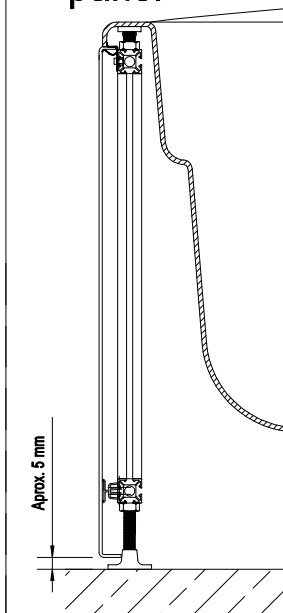


Clean the surface for the velcro with isopropyl alcohol.

Leave to dry, remove the protective paper.



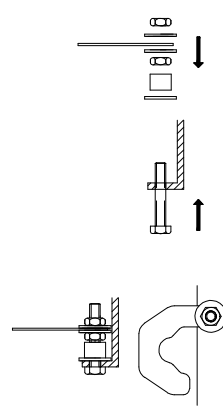
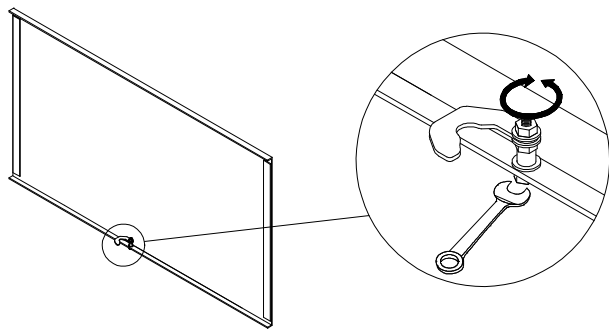
4 Assembled panel



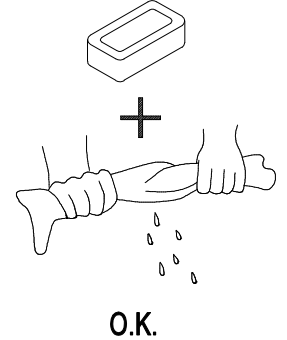
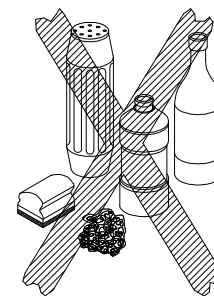
5 Safety anchor



MUST BE INSTALLED ON HYDRO-MASSAGE BATHS



6 Cleaning



Roca S.R.L.

Via Leonardo da Vinci, 24
20080 Casarile (Milano)
Italia
Tel. +39.02.905.251
Fax. +39.02.905.21.74

Roca Limited

Samson Road
Hermitage Ind. Estate
Coalville, Leics. LE67 3FP
United Kingdom
Tel. +44.(0)1530.83.00.80
Fax. +44.(0)1530.83.00.10

Roca GmbH

Feincheswiese 17
56424 Staudt
Deutschland
Tel. +49.(0)2602.93610
Fax. +49.(0)2602.936122

Roca Argentina, S.A.

Camino General Belgrano, 2873
B1824JRH Lanús Este
Buenos aires
Rep. Argentina
Tel. +54.(0)114.230.96.39
Fax. +54.(0)114.246.95.56

Roca Sanitario, S.A.

Avda. Diagonal, 513
08029 Barcelona
España
Teléfono: 93.366.12.00
Telefax: 93.419.45.01

Roca Cerâmica e Comercio, S.A.

Serviços Comerciais
Rua José Duarte Lexim, Lote 6
2675-393 Olivelas Codex
Apartado de Correios 16
2676-901 Olivelas Codex
Portugal
Tel. +351.21.937.94.30
Fax. +351.21.937.94.31

Roca Maroc, S.A.

Route de Marrakech, Km, 2.5
P.P.571 - 26000 Settatt
Maroc
Tél. +212.(0)23.40.59.41
+212.(0)23.40.03.39
Fax. +212.(0)23.40.59.42

Roca Polska Sp. z o. o.

ul. Wyczolkowskiego 20,
44-109 Gliwice,
Tel. +48.(0)32.339.41.00
Fax. +48.(0)32.339.41.01

Roca S.A.R.L.

BP 90422
95005 Cergy Pontoise Cedex
France
Tél. +33.(0)1.34.40.39.00
Fax. +33.(0)130.37.02.65
+33.(0)134.64.13.55

Roca

20030930
298922b