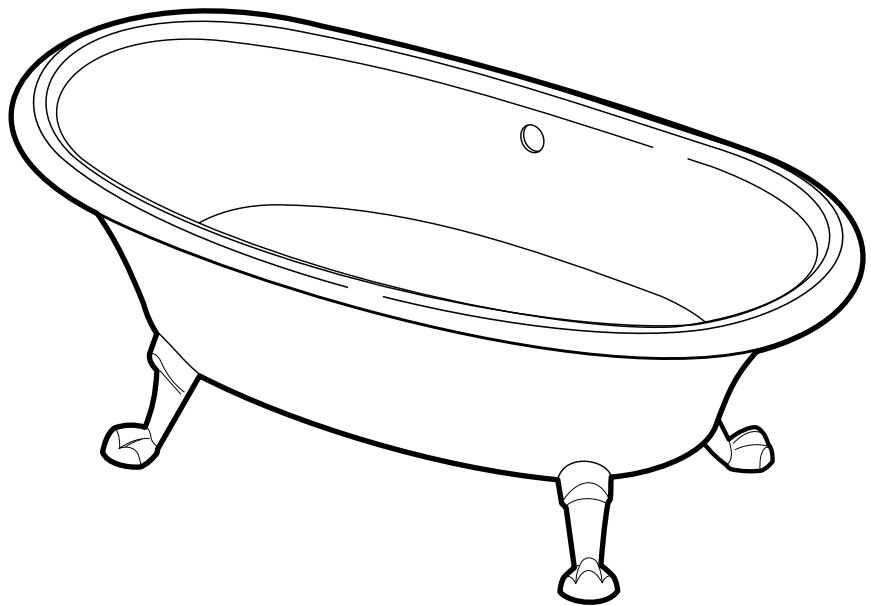


Roca

NEWCAST

SAVANHA

2-91069000



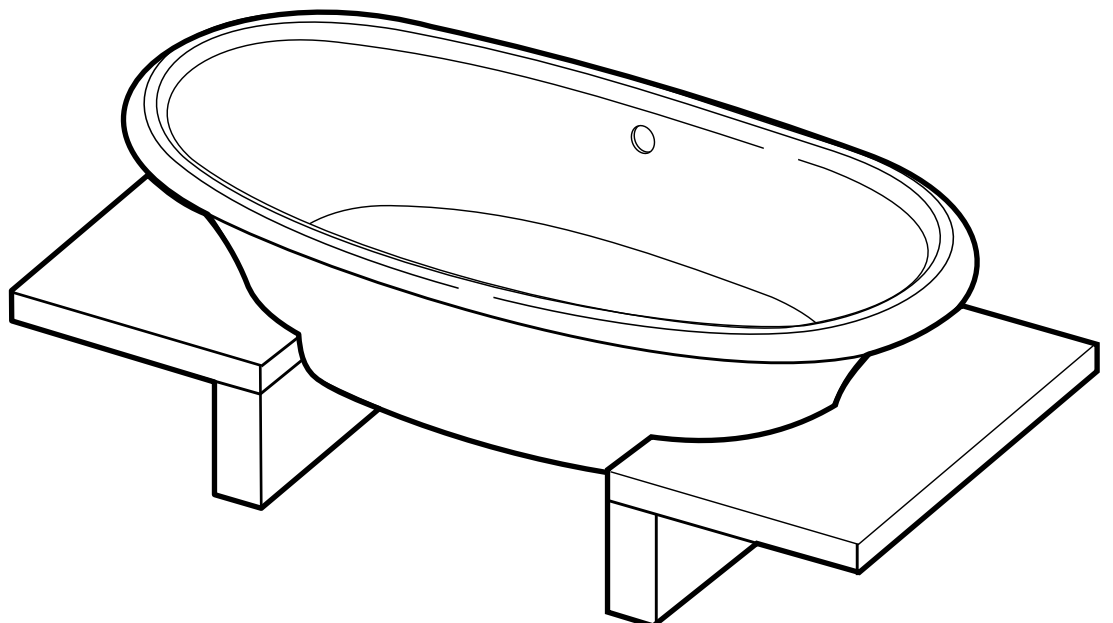
EAGLE

2-91094000

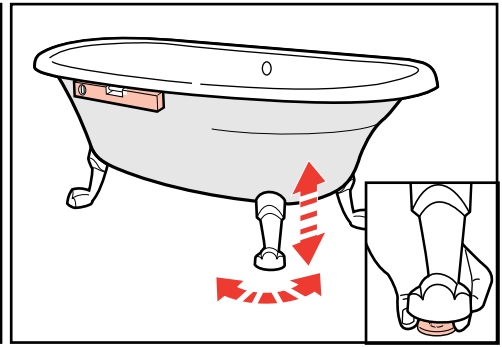
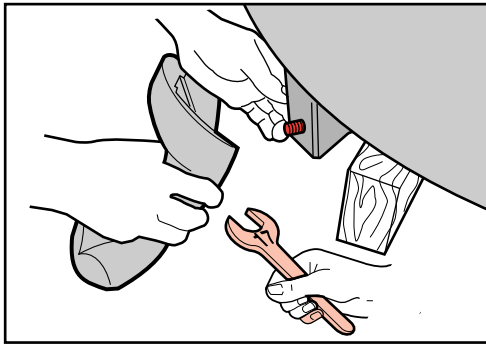
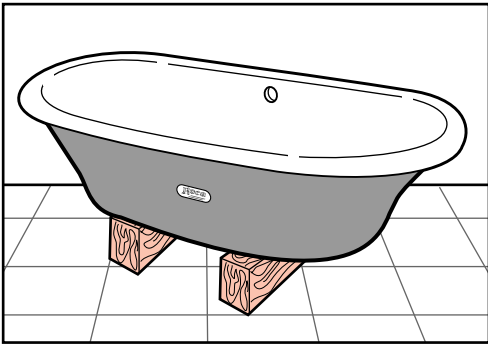


WOODLINE

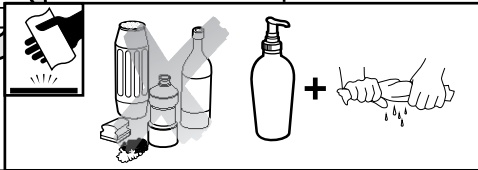
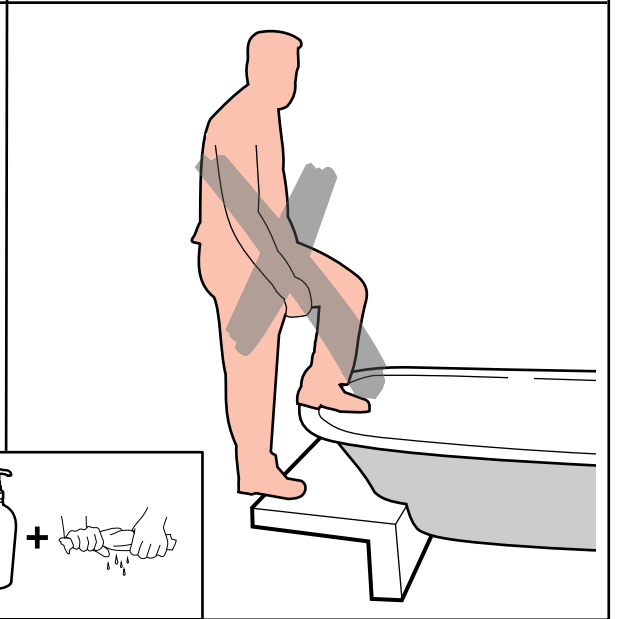
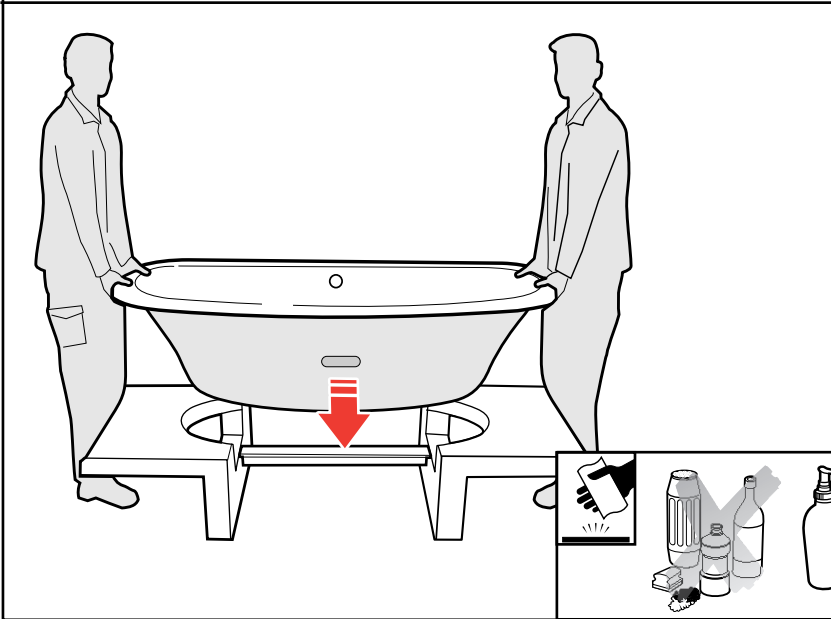
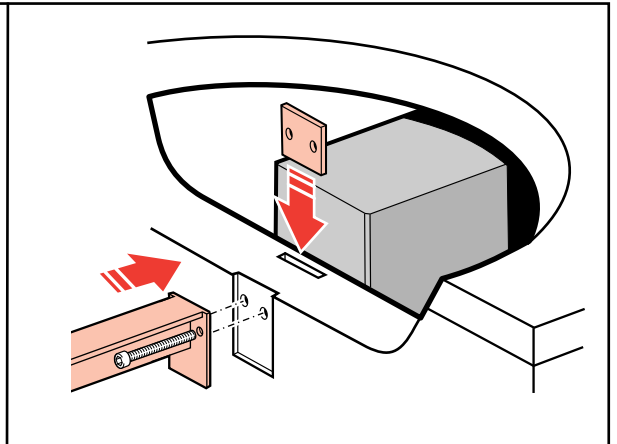
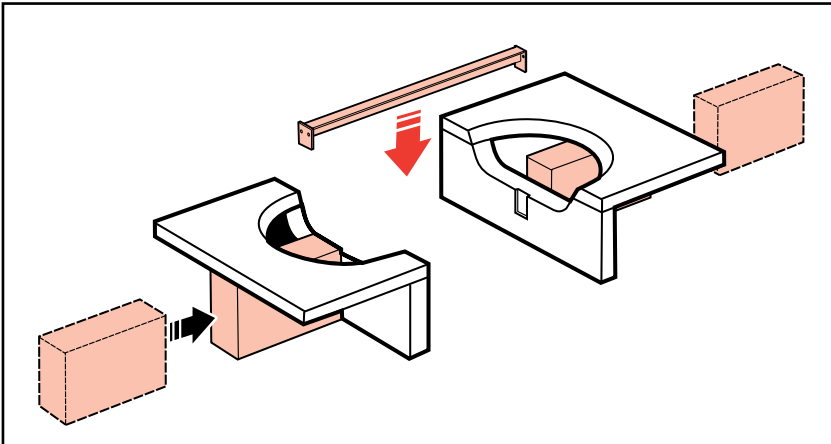
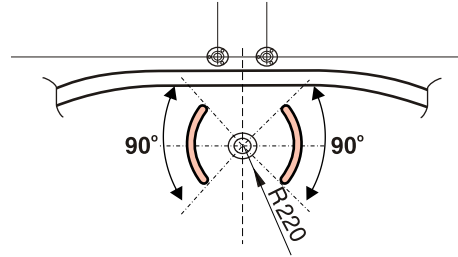
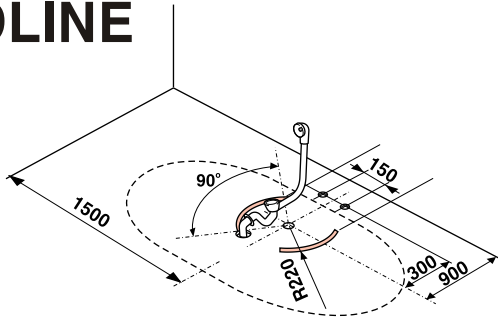
2-91070000



SAVANHA / EAGLE



WOODLINE



Roca Sanitario, S.A.

Avda. Diagonal, 513
08029 Barcelona - SPAIN
Teléfono 93 366 1200
Fax 93 419 4501
www.roca.es

Roca