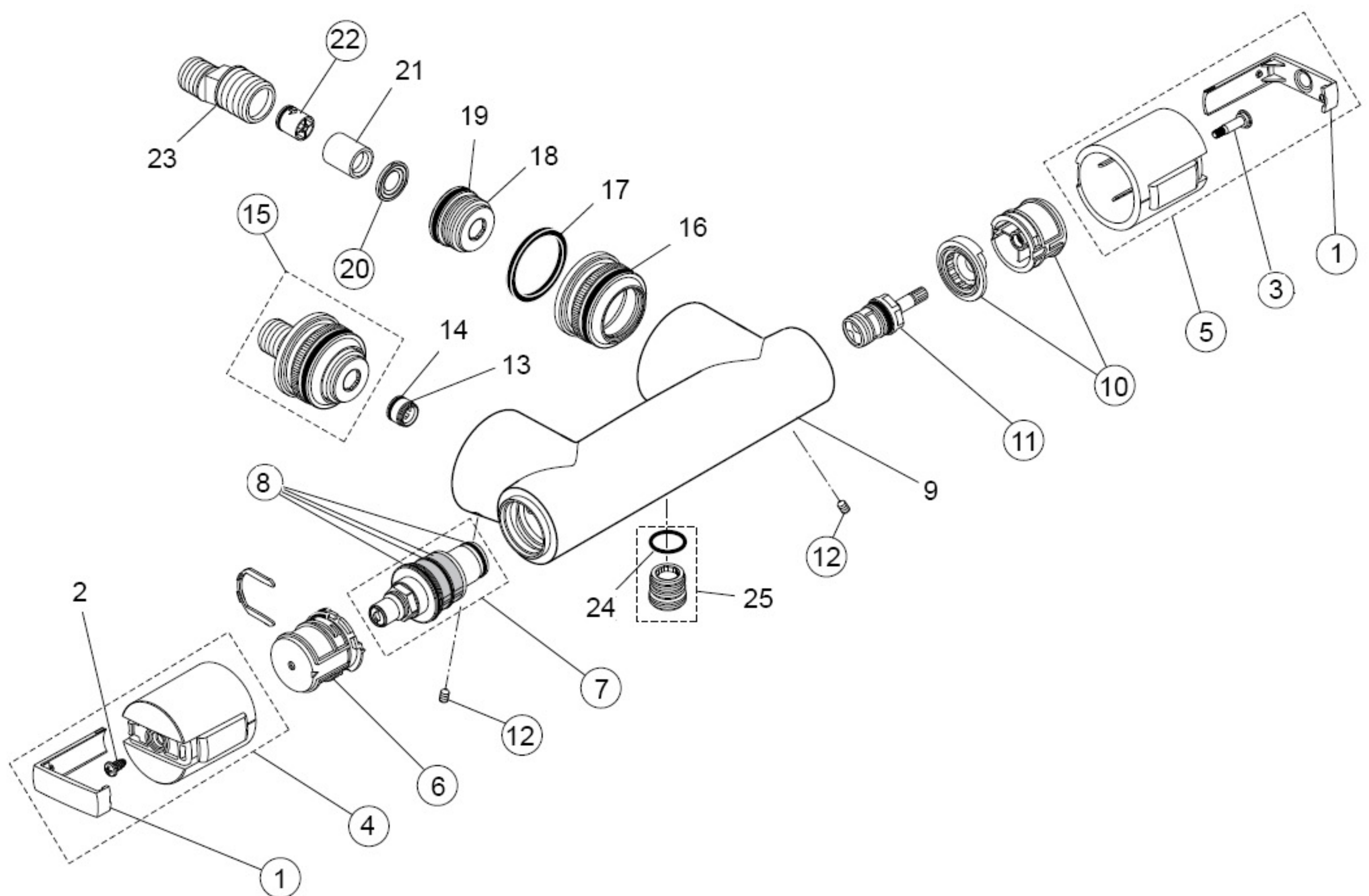


CERATHERM 200 (A4627AA; A4658AA)

Produced from: May 2010



Pos.	Description	Part-Number	Qty.	Pos.	Description	Part-Number	Qty.
1	Cap for handle with and without Logo	A962878AA	1 Set	13	Seat M14 x 1		
2	EJOT-PT-Screw KB 50x10			14	O - ring Ø 11 x 1,5		2 pcs
3	Screw for handle M4x23,5	A962998NU		15	S - Connector complete	A962569NU	2 pcs
4	Temp.handle complete	A962879AA	1 pcs	16	O - ring Ø 43 x 3		1 pcs
5	Volume control handle cpl.	A962880AA	1 pcs	17	Washer		
6	Temp.-adjustment	A963427NU	1 pcs	18	Coupling nut		
7	Cartridge G1/2 complete	A962229NU	1 pcs	19	O - ring Ø 28 x 3		2 pcs
8	Repair set cartridge	A962230NU		20	Screen	A962160NU	2 pcs
9	Body			21	Adapter / sleeve		
10	Handle insert universal	A963432NU	1 Set	22	Non-return valve DW15	A962594NU	2 pcs
11	Headwork (cartridge)	A963400NU	1 pcs	23	S - Connector		
12	Thread pin M6 x 10	A962857NU	1 pcs	24	O - ring Ø 17 x 2		2 pcs
				25	Nipple complete		1 pcs