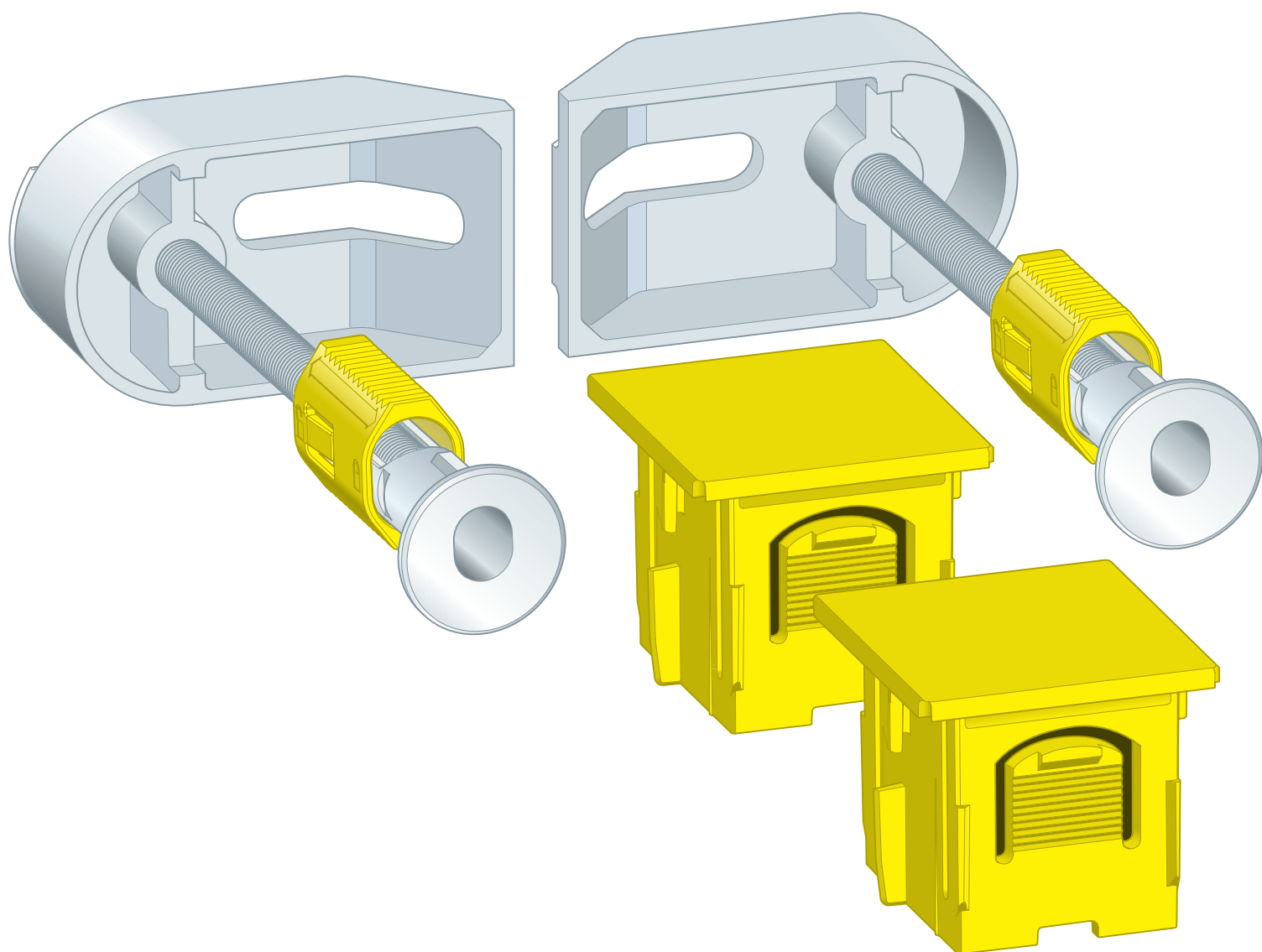


# Prevista Dry fixing set universal

## Instructions for Use



for fixing the Viega Prevista Dry elements in single / line mounting, single mounting directly onto the installation body or corner mounting on masonry or metal support profile.

**Model**  
8570.36

**Year built:**  
from 09/2018

en\_INT





# Table of contents

<b>1</b>	<b>About these instructions for use</b>	<b>4</b>
1.1	Target groups	4
1.2	Labelling of notes	4
1.3	About this translated version	5
<b>2</b>	<b>Product information</b>	<b>6</b>
2.1	Standards and regulations	6
2.2	Intended use	6
2.2.1	Areas of use	6
2.3	Product description	7
2.3.1	Overview	7
<b>3</b>	<b>Handling</b>	<b>8</b>
3.1	Assembly	8
3.1.1	Mounting the fixing set	8
3.2	Disposal	11

# 1 About these instructions for use

Trade mark rights exist for this document; for further information, go to [viega.com/legal](http://viega.com/legal).

## 1.1 Target groups

The information in this instruction manual is directed at the following groups of people:

- Heating and sanitary professionals and trained personnel

Individuals without the abovementioned training or qualification are not permitted to mount, install and, if required, maintain this product. This restriction does not extend to possible operating instructions.

The installation of Viega products must take place in accordance with the general rules of engineering and the Viega instructions for use.

## 1.2 Labelling of notes

Warning and advisory texts are set aside from the remainder of the text and are labelled with the relevant pictographs.



### **DANGER!**

This symbol warns of possible life-threatening injury.



### **WARNING!**

This symbol warns of possible serious injury.



### **CAUTION!**

This symbol warns of possible injury.



### **NOTICE!**

This symbol warns of possible damage to property.



*This symbol gives additional information and hints.*

### 1.3 About this translated version

This instruction for use contains important information about the choice of product or system, assembly and commissioning as well as intended use and, if required, maintenance measures. The information about the products, their properties and application technology are based on the current standards in Europe (e.g. EN) and/or in Germany (e.g. DIN/DVGW).

Some passages in the text may refer to technical codes in Europe/Germany. These should serve as recommendations in the absence of corresponding national regulations. The relevant national laws, standards, regulations, directives and other technical provisions take priority over the German/European directives specified in this manual: The information herein is not binding for other countries and regions; as said above, they should be understood as a recommendation.

## 2 Product information

### 2.1 Standards and regulations

The following standards and regulations apply to Germany / Europe and are provided as a support feature.

#### Regulations from section: Fields of application / Mounting conditions

Scope / Notice	Regulations applicable in Germany
Suitable masonry walls	EN 1996-1-1
Suitable concreted walls	DIN 1045

### 2.2 Intended use

#### 2.2.1 Areas of use

The Prevista Dry fixing set is used for mounting Prevista Dry elements onto the wall construction pursuant to the regulation in section ↗ „Regulations from section: Fields of application / Mounting conditions“ on page 6.

## 2.3 Product description

### 2.3.1 Overview

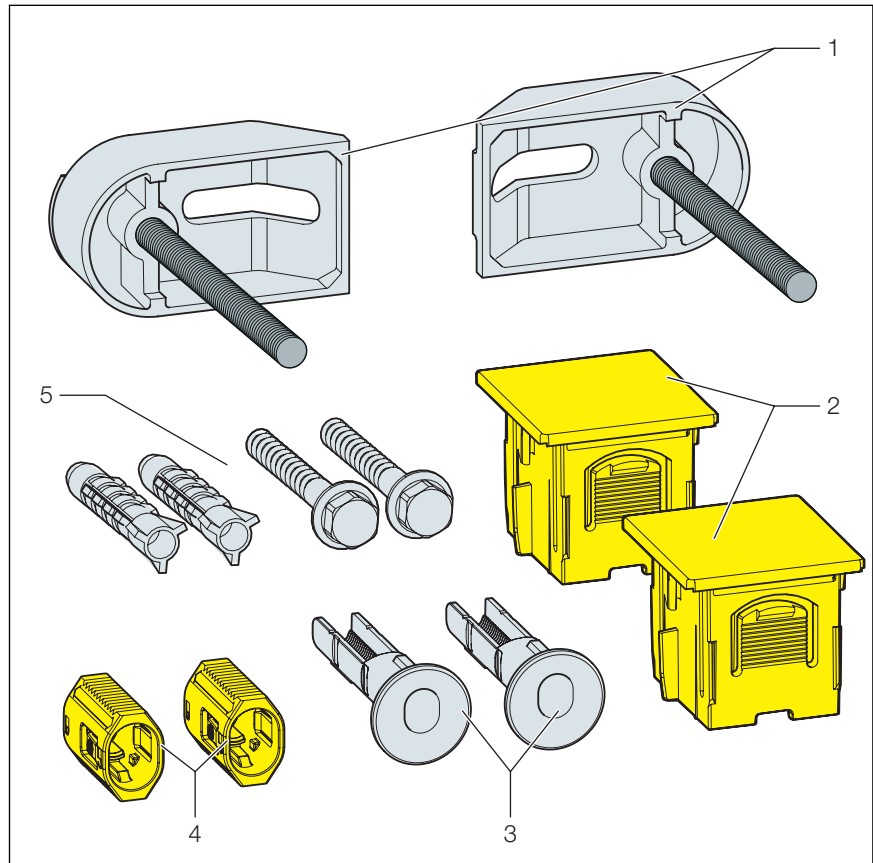


Fig. 1: Components

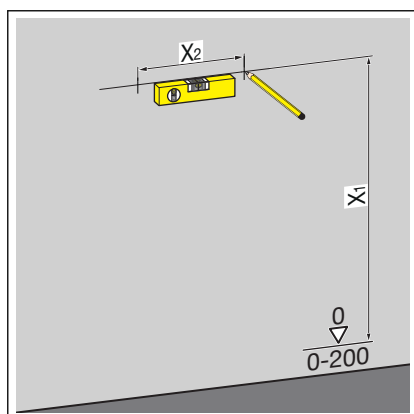
- 1 wall bracket
- 2 Cap
- 3 Slide
- 4 Mounting bracket
- 5 Dowels and screws for wall mounting

# 3 Handling

## 3.1 Assembly

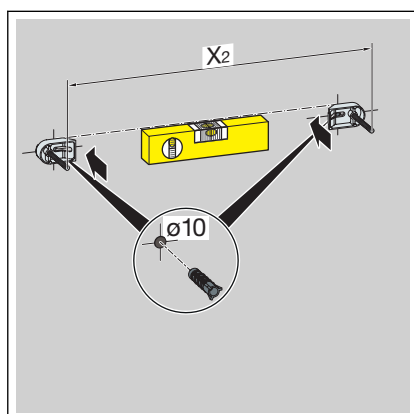
### 3.1.1 Mounting the fixing set

**i** Mount the elements as shown by way of example of the Pre-vista Dry WC element with shower WC connection and variable ceramic height (model 8521).

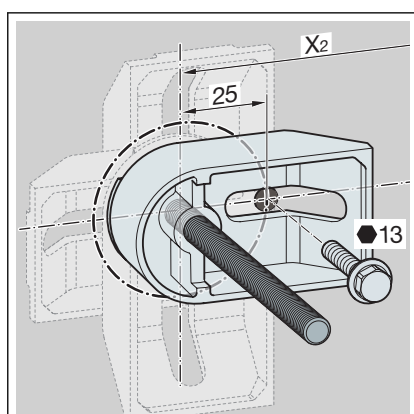


► Determine and mark the fixing points.

- X1: depending on the element used.
- X2: depending on the element used.

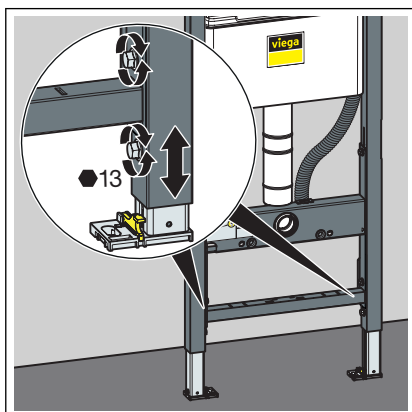


- Drill the holes.
- Insert the dowels.
- Mount the mounting bracket.

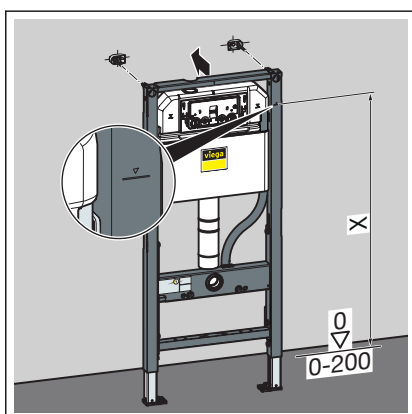


► Align and fix the mounting brackets (size 13).

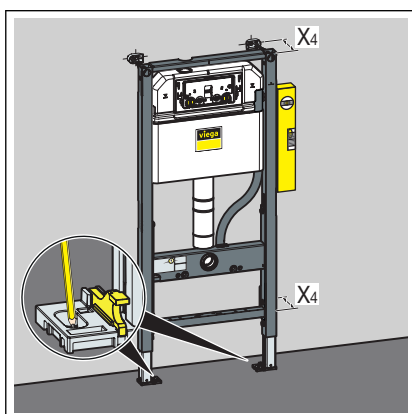




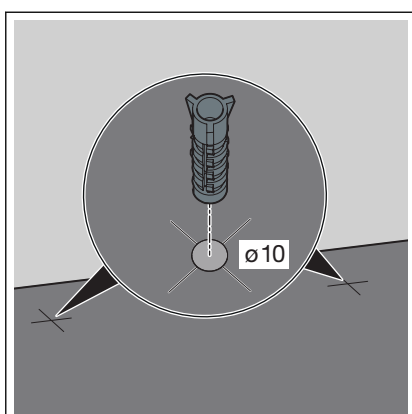
- Loosen the feet of the element using a fork spanner (size 13).



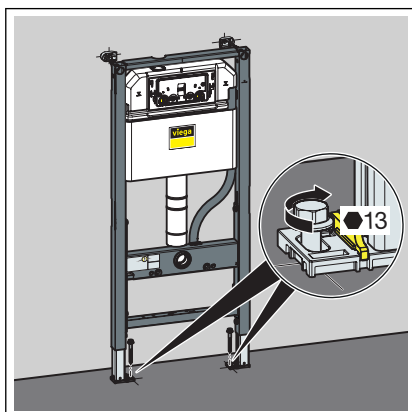
- Adjust the construction height of the element in accordance with the on-site marking of the upper edge of the finished floor.
- Tighten the feet of the element using a fork spanner (size 13).



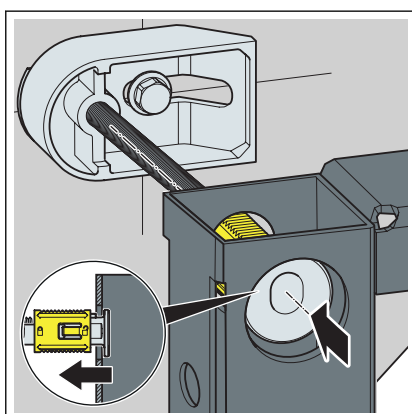
- Align the depth of the element.
  - X4: depending on the element used.
- Mark the fixing points on the floor.



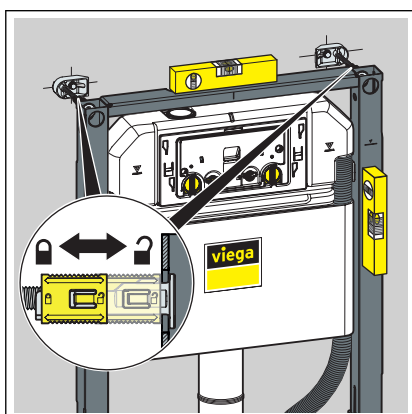
- Remove the element and drill the floor holes.
- Insert the dowels.



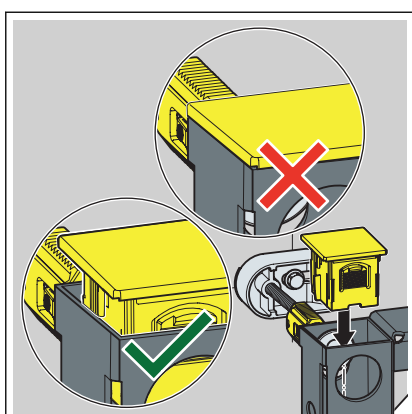
- Fix the element in the floor.



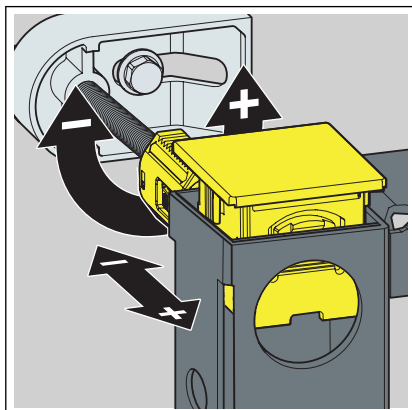
- Push the mounting bracket through the element on the threaded rods.



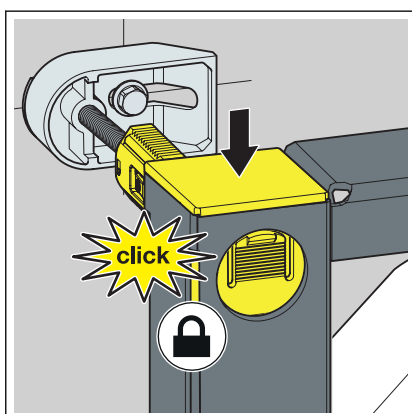
- Align the element and use the slide to attach the mounting bracket to the threaded rods.



- Loosely insert the caps.  
**INFO! Do not press on the caps to engage them.**



- Re-adjust the alignment of the element using the threaded rods.



- Push the caps down until they engage.

### 3.2 Disposal

Separate the product and packaging materials (e. g. paper, metal, plastic or non-ferrous metals) and dispose of in accordance with valid national legal requirements.