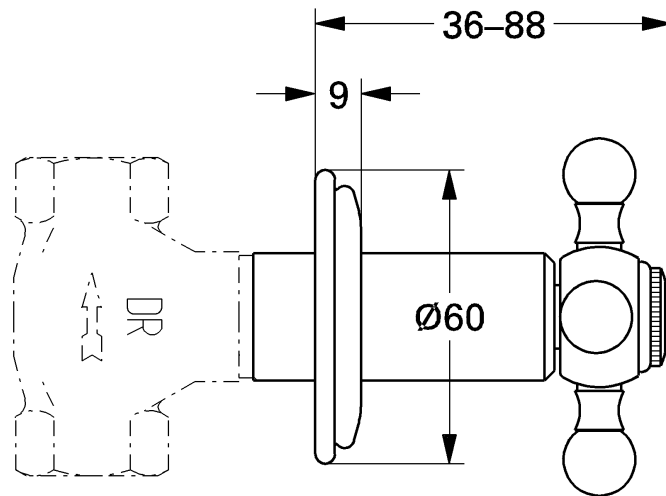


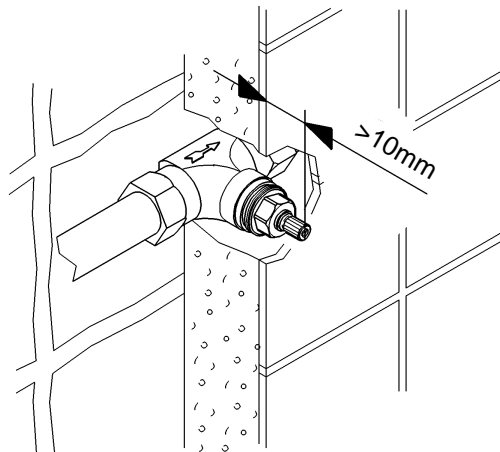
GROHE

WATER TECHNOLOGY

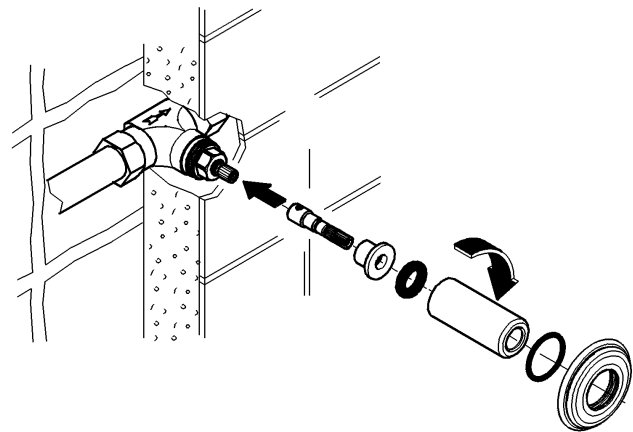
19 031



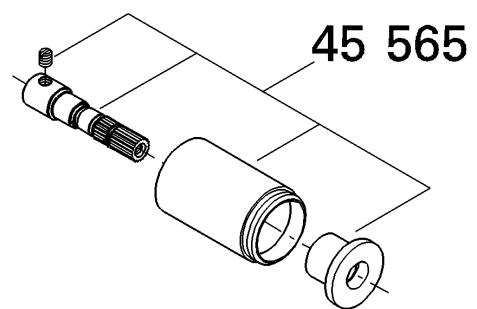
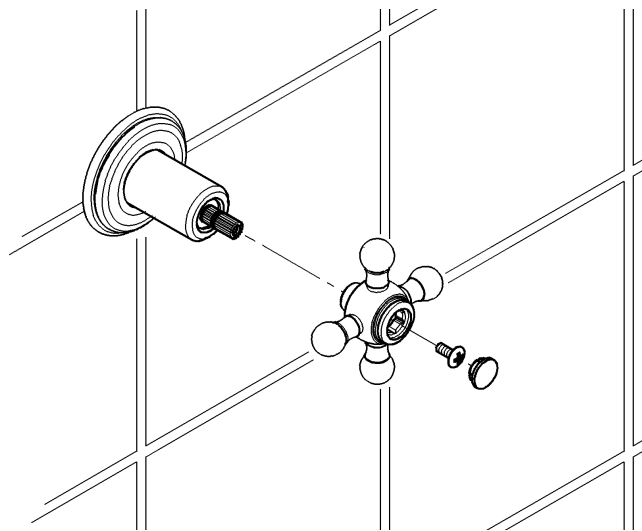
1a.



2a.



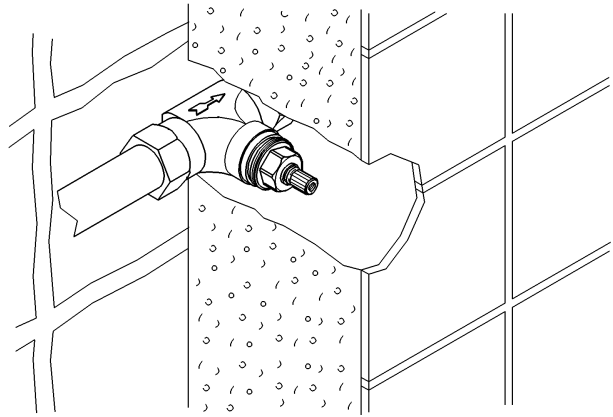
3a.



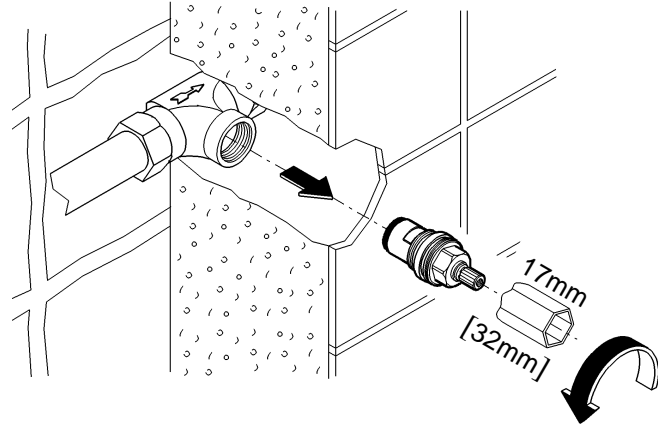


WATER TECHNOLOGY

1b.

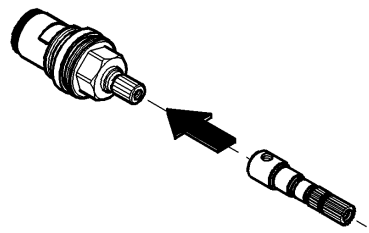


2b.

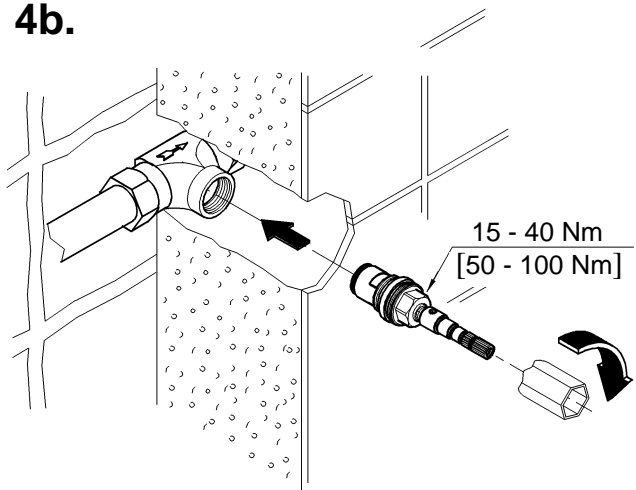


[] = G1 / ø28

3b.

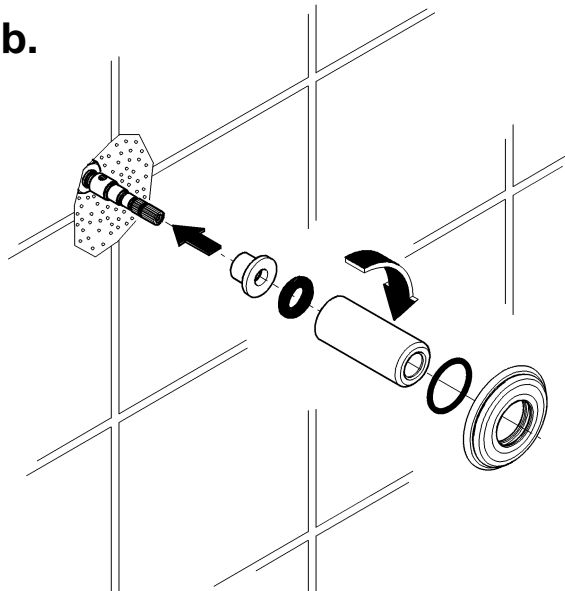


4b.



[] = G1 / ø28

5b.



6b.

